

*pulsar*135LS



*pulsar*135LS

Bajaj Auto Limited
Akurdi Pune 411 035 India
Tel +91 20 27472851
Fax +91 20 27407385
www.bajajauto.com

Spare Parts Catalogue

(EXPORT)



Notice

All information contained in this manual is based on the latest product information at the time of publication. Bajaj Auto Limited accepts no liability for any inaccuracies or omissions in this publication, although every possible care has been taken to make it as complete and accurate as possible. All procedures and specifications subject to change without prior notice. The right is reserved to make such changes at any time without prior notice and without incurring an obligation to make such changes to product manufactured previously. Contact your authorized Bajaj Dealer for the latest information on product improvements incorporated after this manual was issued.

DOC. NO.: 71111552

REV. 01, MAR. 2012

We have pleasure in presenting the Spare Parts Catalogue for 'Pulsar 135 LS' Motorcycle. This catalogue has been specially designed to assist you in selecting the correct parts for procurement to maintain 100% availability.

The Bajaj spares are subjected to the stringent quality control standards to ensure longer life of the vehicle. It is therefore necessary that only the Genuine Bajaj Spares are used.

In a continual effort to improve Performance and Efficiency of the vehicles, Specifications, Diagrams, Illustrations and Part Numbers can change without notice. Consequently, the description in this Spare Parts Catalogue cannot therefore be final and binding on us.

The modifications / alterations which are carried out after the issue of this catalogue, will be conveyed to you through our Service Circulars. You are requested to make necessary corrections in the Parts Catalogue as per the circulars so as to keep your catalogue up-to-date. This will ensure the appropriate and speedy delivery of the Spare Parts as the order placed will bear the latest part numbers.

In case, if you need any technical assistance contact the concerned Regional Office or write to us on the following address :

Bajaj Auto Limited**International Business**

Akurdi, Pune 411 035 India

Phone : 020-27472851

Fax : 020-27407395

Email : spdexports@bajajauto.co.in

- 1. How to Read the Catalogue :** Open the catalogue and from the pictorial index locate the group in which the part you want to find is present. Turn over to the concerned page number (as given by pictorial index). Now find out the figure of the part you wish to order. Write down the part number against that particular figure number from the text.

In case, if you have the part number and you need the other details, the part index can be used. The part index (at the end of the catalogue) will give you the figure and page number of the part you wish to order.

- 2. How to Order Spare Parts :** The part number and the description of the part required should be invariably mentioned in the order as per the catalogue text.

The latest part number as conveyed through our service circulars should only appear on the order. In case of ordering painted components, colour shade of the components should be mentioned.

The quantity shown against the part number is the quantity per vehicle for that group so that particular quantity should be multiplied by the number of sets required.

- 3. Part Number System :** We have used 8 digit system for part numbers. The model or hardware item is indicated by first two digits or alphanumeric, the next two or four digits indicate main group and the last four or two digits indicate serial number in main group or serial number or subgroup of fastener respectively. Thus the part numbers will be indicated by 2-2-4 or 2-4-2 digit system. Understanding this system will enable you to identify the spare parts easily.

- 4. Abbreviations :** The following abbreviations are used in this catalogue.

Assly	Assembly	V	Volts
N.I.	Not illustrated	W	Watts
C'case	Crankcase	Accl.	Accelerator
Cyl	Cylinder	Comp.	Complete
O/s	Over size	Fr.	Front
Rr.	Rear	Std.	Standard
L	Length	A/t.	Alternate
R.H.	Right hand	L.H.	Left hand
Hex.	Hexagonal	AR	As required

Index

Plate No.	Description	Page No.
1	Cover Cylinder Head	2
2	Cylinder Head	4
3	Valve	6
4	Camshaft / Tensioner	8
5	Cylinder and Piston	10
6	Crankshaft	12
7	Transmission	14
8	Change Drum / Shift Fork	16
9	Gear Change Mechanism	18
10	Engine Assly / Crankcase RH	20
11	Crankcase LH	22
12	Cover Clutch	24
13	Cover Magneto	26
14	Clutch Assly	28
15	Kick Starter Mechanism	30
16	Carburettor	32
17	Air Cleaner Complete	34
18	Silencer Assly	36
19	Oil Pump	38
20	Starter Assly	40
21	Magneto, C.D.I. & H.T. Coil	42
22	Seat Assly / Seat Lock	44
23	Engine Mountings	46
24	Frame and Frame Fitting	48
25	Swing Arm / Rear Shock Absorber	50
26	Pillion Foot Rest / Holder	52
27	Mudguard- Front & Rear	54
28	Stand Assembly	56
29	Tyre/ Tube / Rim	58
30	Front Hub	60

Index

Plate No.	Description	Page No.
31	Front Master Cylinder	62
32	Front Disc Brake	64
33	Rear Hub	66, 68
34	Rear Brake Pedal	70
35	Handle Bar Assly	72, 74
36	Front Fork	76, 78
37	Painted Parts & Decals	80
38	Petrol Tank Spoiler	82
39	Petrol Tank, Cap Tank & Gauge Fuel	84
40	Fittings - Petrol Tank, Side Cover & Cover Seat	86
41	Meter Assly.	88
42	Control Cables	90
43	Chain Case	92
44	Head Lamp & Fairing	94
45	Indicator Light Assly.	96
46	Tail Lamp Assly. / Front No. Plate	98
47	Electrical Equipments	100
48	Tool Kit	102
49	Accessories / Grab Handle	104
	Kits List For Pulsar 135 LS	105, 106
	Amendment Sheet (Parts Added)	
	Amendment Sheet (Parts Deleted)	
	Part Index	

Pictorial Index

PLATE NO. : 1 COVER CYLINDER HEAD	PAGE NO. 2

PLATE NO. : 2 CYLINDER HEAD	PAGE NO. 4

PLATE NO. : 3 VALVE	PAGE NO. 6

PLATE NO. : 4 CAMSHAFT / TENSIONER	PAGE NO. 8

Pictorial Index

PLATE NO. : 5 CYLINDER & PISTON	PAGE NO. 10

PLATE NO. : 6 CRANKSHAFT	PAGE NO. 12

PLATE NO. : 7 TRANSMISSION	PAGE NO. 14

PLATE NO. : 8 CHANGE DRUM / SHIFT FORK	PAGE NO. 16

Pictorial Index

PLATE NO. : 9 GEAR CHANGE MECHANISM	PAGE NO. 18

PLATE NO. : 10 ENGINE ASSLY & CRANKCASE RH	PAGE NO. 20

PLATE NO. : 11 CRANKCASE LH	PAGE NO. 22

PLATE NO. : 12 COVER RH	PAGE NO. 24

Pictorial Index

PLATE NO. : 13 COVER MAGNETO	PAGE NO. 26

PLATE NO. : 14 CLUTCH ASSEMBLY	PAGE NO. 28

PLATE NO. : 15 KICK STARTER MECHANISM	PAGE NO. 30

PLATE NO. : 16 CARBURETOR	PAGE NO. 32

Pictorial Index

PLATE NO. : 17 AIR CLEANER COMPLETE	PAGE NO. 34

PLATE NO. : 18 SILENCER ASSLY	PAGE NO. 36

PLATE NO. : 19 OIL PUMP	PAGE NO. 38

PLATE NO. : 20 STARTER ASSLY	PAGE NO. 40

Pictorial Index

PLATE NO. : 21 MAGNETO / C.D.I. / H.T. COIL	PAGE NO. 42

PLATE NO. : 22 SEAT ASSLY / SEAT LOCK	PAGE NO. 44

PLATE NO. : 23 ENGINE MOUNTINGS	PAGE NO. 46

PLATE NO. : 24 FRAME & FRAME FITTINGS	PAGE NO. 48

Pictorial Index

PLATE NO. : 25 SWING ARM / RR. SHOCK ABSORBER	PAGE NO. 50

PLATE NO. : 26 PILLION FOOT REST / HOLDER	PAGE NO. 52

PLATE NO. : 27 MUDGUARD FRONT & REAR	PAGE NO. 54

PLATE NO. : 28 STAND ASSEMBLY	PAGE NO. 56

Pictorial Index

PLATE NO. : 29 TUBE / TYRE / RIM	PAGE NO. 58

PLATE NO. : 30 FRONT HUB	PAGE NO. 60

PLATE NO. : 31 FRONT MASTER CYLINDER	PAGE NO. 62

PLATE NO. : 32 FRONT DISC BRAKE	PAGE NO. 64
<ul style="list-style-type: none"> PISTON SEAL DUST SEAL BLEEDER CAP PROTECTION BOOT INSULATOR CALIPER PISTON BLEEDER SCREW PAD SPRING 	

Pictorial Index

PLATE NO. : 33 REAR HUB	PAGE NO. 66, 68

PLATE NO. : 34 REAR BRAKE PEDAL	PAGE NO. 70

PLATE NO. : 35 HANDLE BAR ASSEMBLY	PAGE NO. 72, 74

PLATE NO. : 36 FRONT FORK	PAGE NO. 76, 78

Pictorial Index

PLATE NO. : 37 PAINTED PARTS & DECALS	PAGE NO. 80

PLATE NO. : 38 PETROL TANK SPOILER	PAGE NO. 82

PLATE NO. : 39 PETROL TANK, CAP TANK AND GAUGE FUEL	PAGE NO. 84

PLATE NO. : 40 FITTINGS - PETROL TANK, SIDE COVERS & COVER SEAT	PAGE NO. 86

Pictorial Index

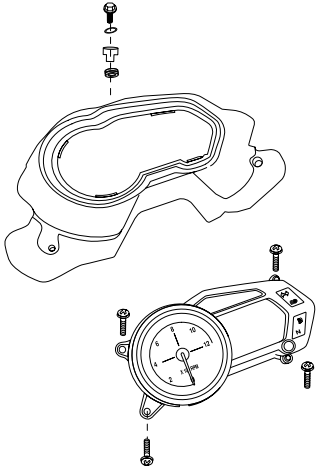
PLATE NO. : 41 METER ASSEMBLY	PAGE NO. 88
	

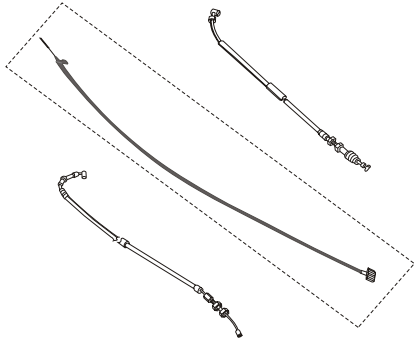
PLATE NO. : 42 CONTROL CABLES	PAGE NO. 90
	

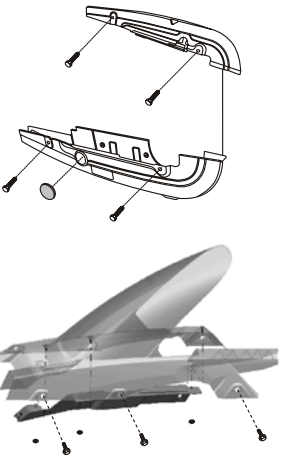
PLATE NO. : 43 CHAIN CASE	PAGE NO. 92
	

PLATE NO. : 44 COVER MUD REAR	PAGE NO. 94
	

Pictorial Index

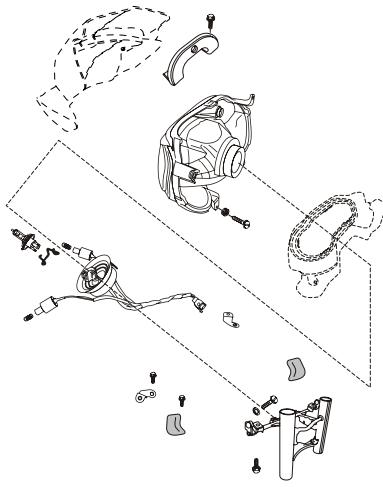
PLATE NO. : 45 HEAD LAMP ASSEMBLY AND FAIRING	PAGE NO. 96
	

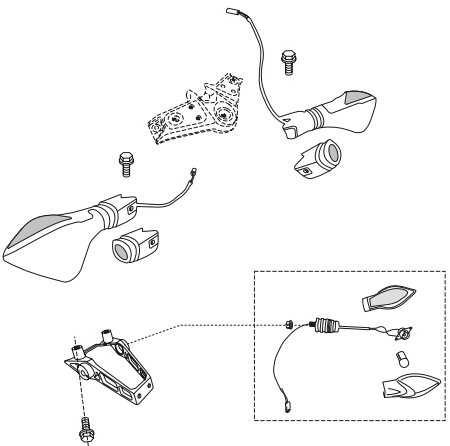
PLATE NO. : 46 INDICATOR LAMP ASSEMBLY	PAGE NO. 98
	

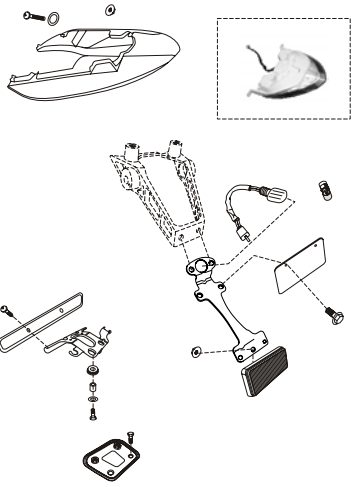
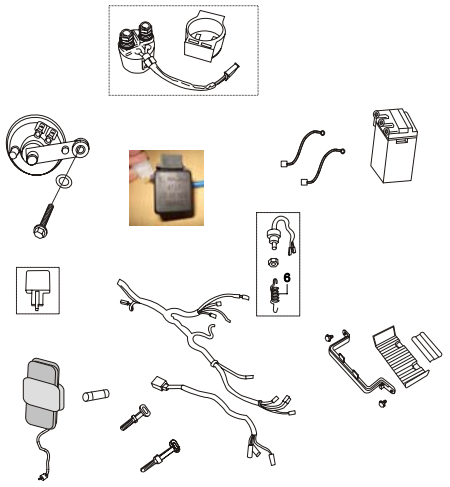
PLATE NO. : 47 TAIL LAMP ASSEMBLY / FRONT NUMBER PLATE	PAGE NO. 100
	

PLATE NO. : 48 ELECTRICAL EQUIPMENTS	PAGE NO. 102
	

Pictorial Index

PLATE NO. : 49
TOOL KIT

PAGE NO.
104

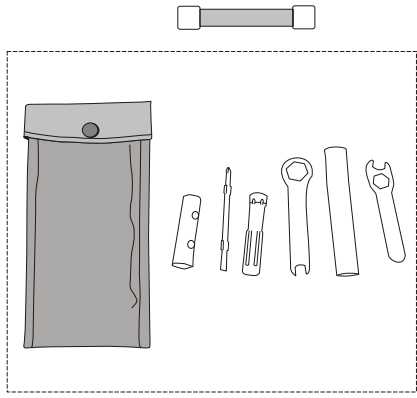
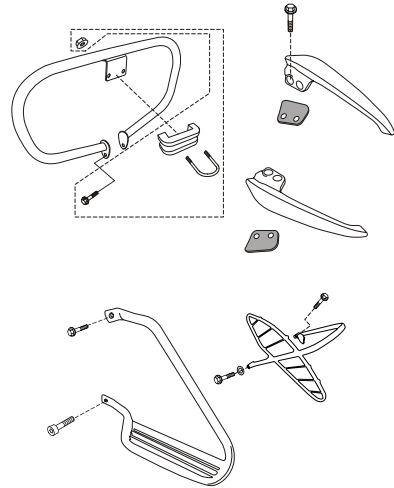
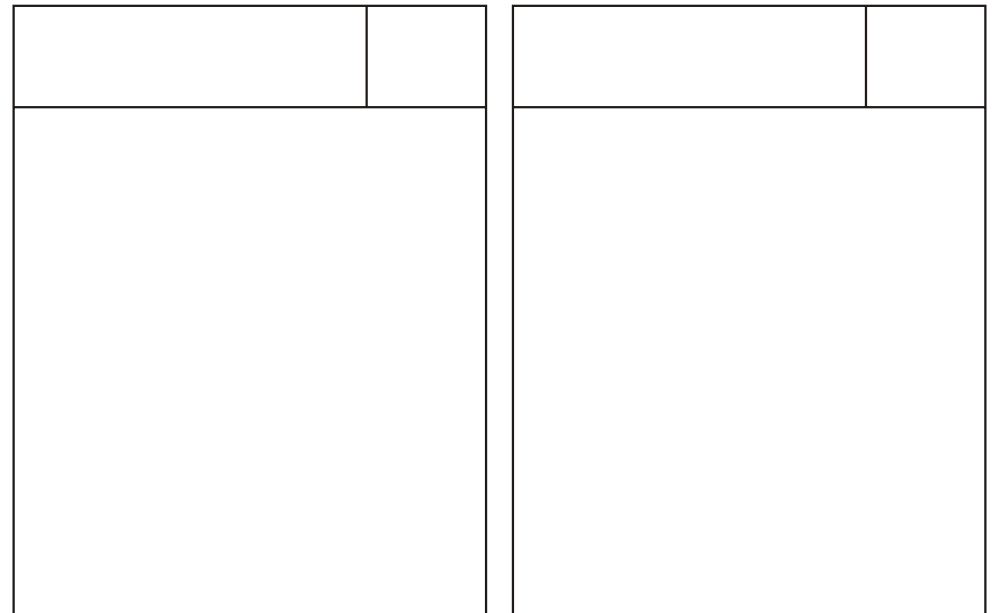
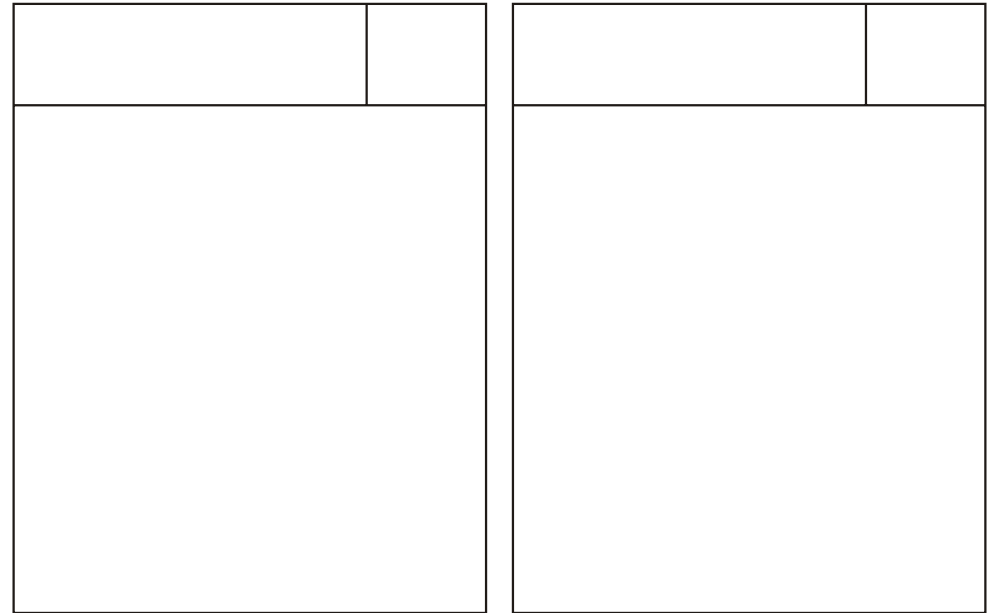


PLATE NO. : 50
ACCESSORIES / GRAB HANDLE

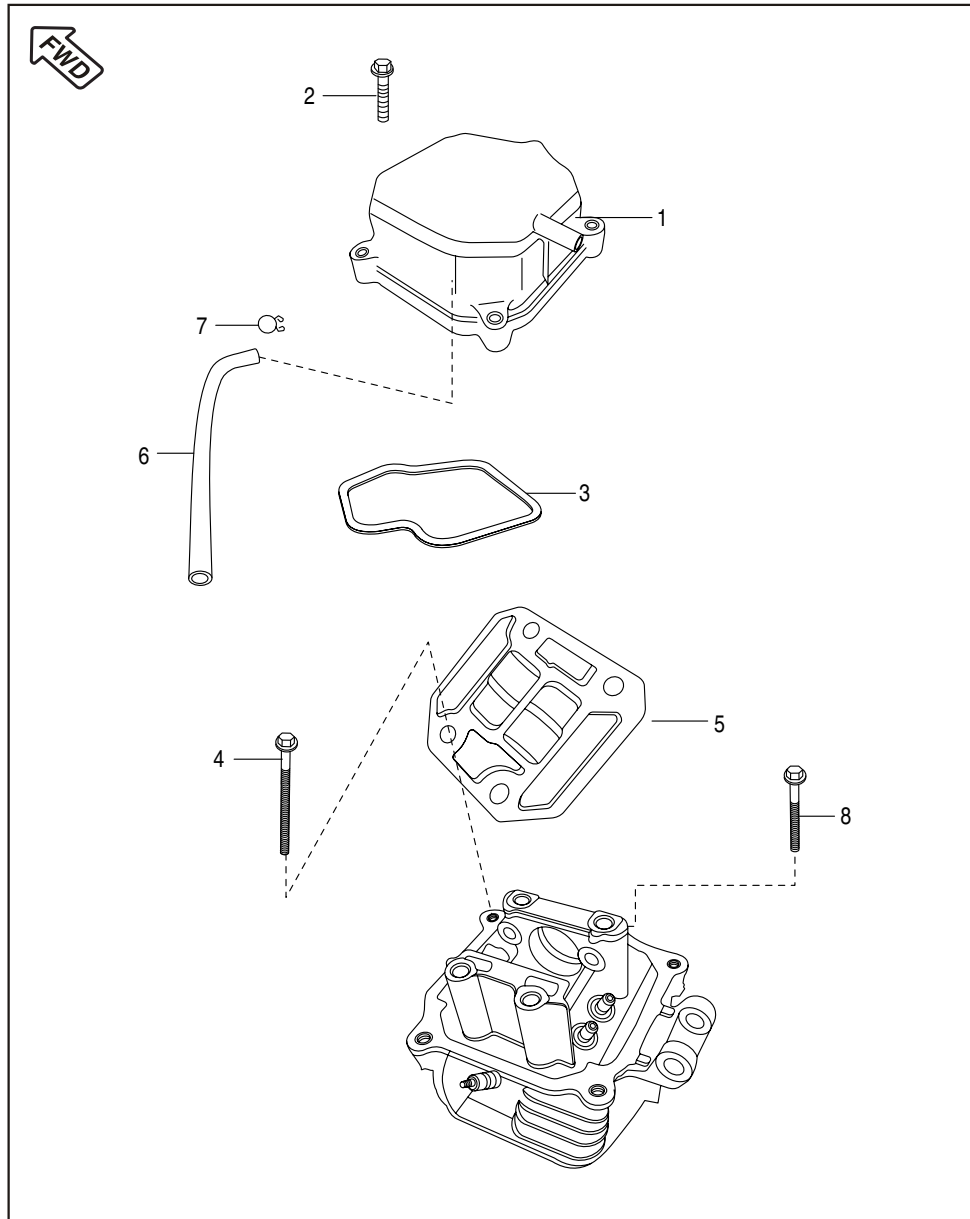
PAGE NO.
106



Pictorial Index

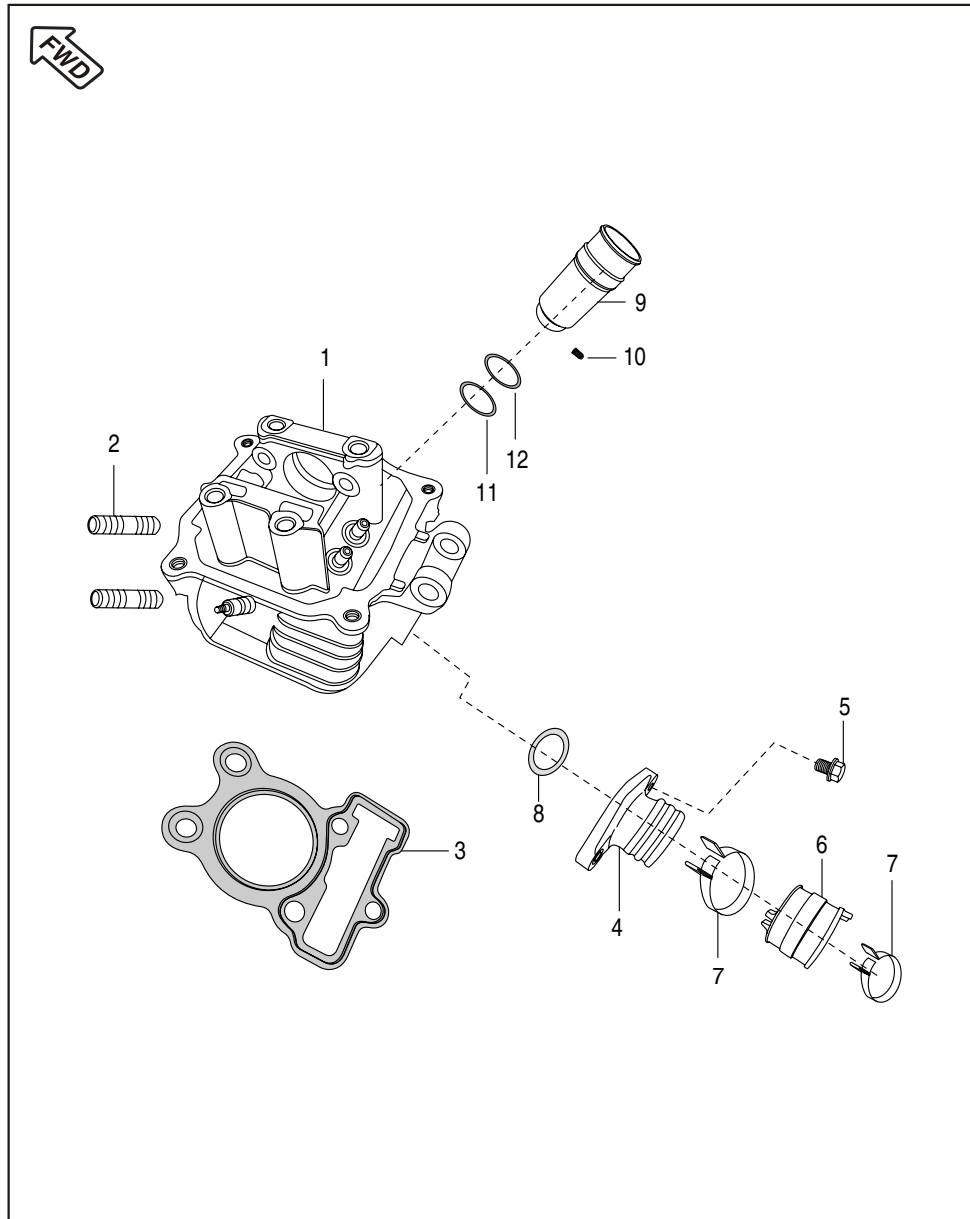


Cover Cylinder Head



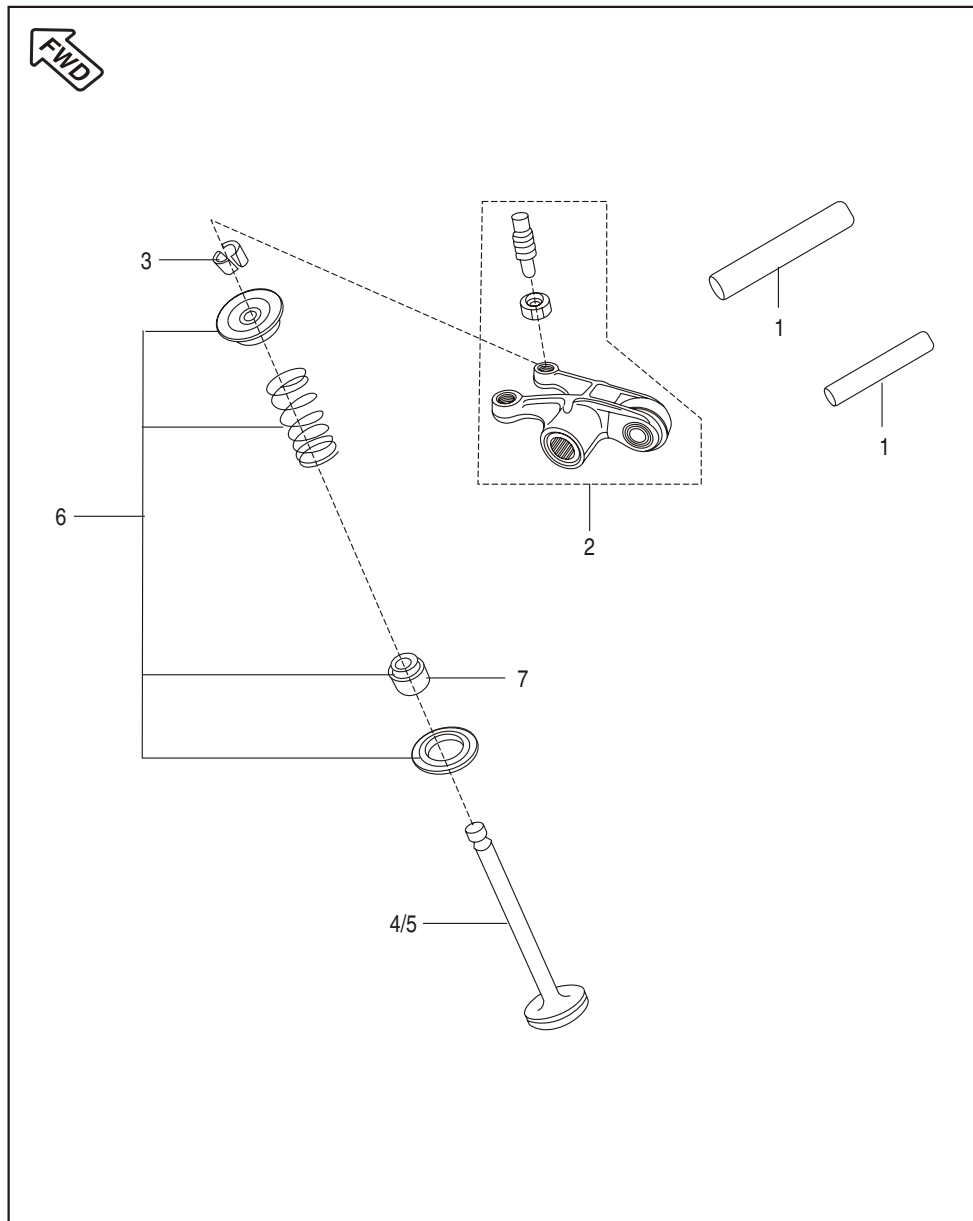
No.	Part No.	Description	Qty.	Remarks
1	JZ 5110 21	Cover Cylinder Head	1	Ref. Cir - IB-7
2	59 0400 38	Bolt Flange	4	
3	JD 5110 10	Gasket Head Cover	1	
4	JA 5110 08	Bolt Head Mounting (Long)	4	
5	PF 5110 27	Plate Cylinder Head	1	
6	JA 5110 11	Hose Crankcase Breather	1	
7	JA 5110 29	Clamp	2	
8	59 0400 50	Bolt Head Mounting (Short)	1	For Head Mounting

Cylinder Head



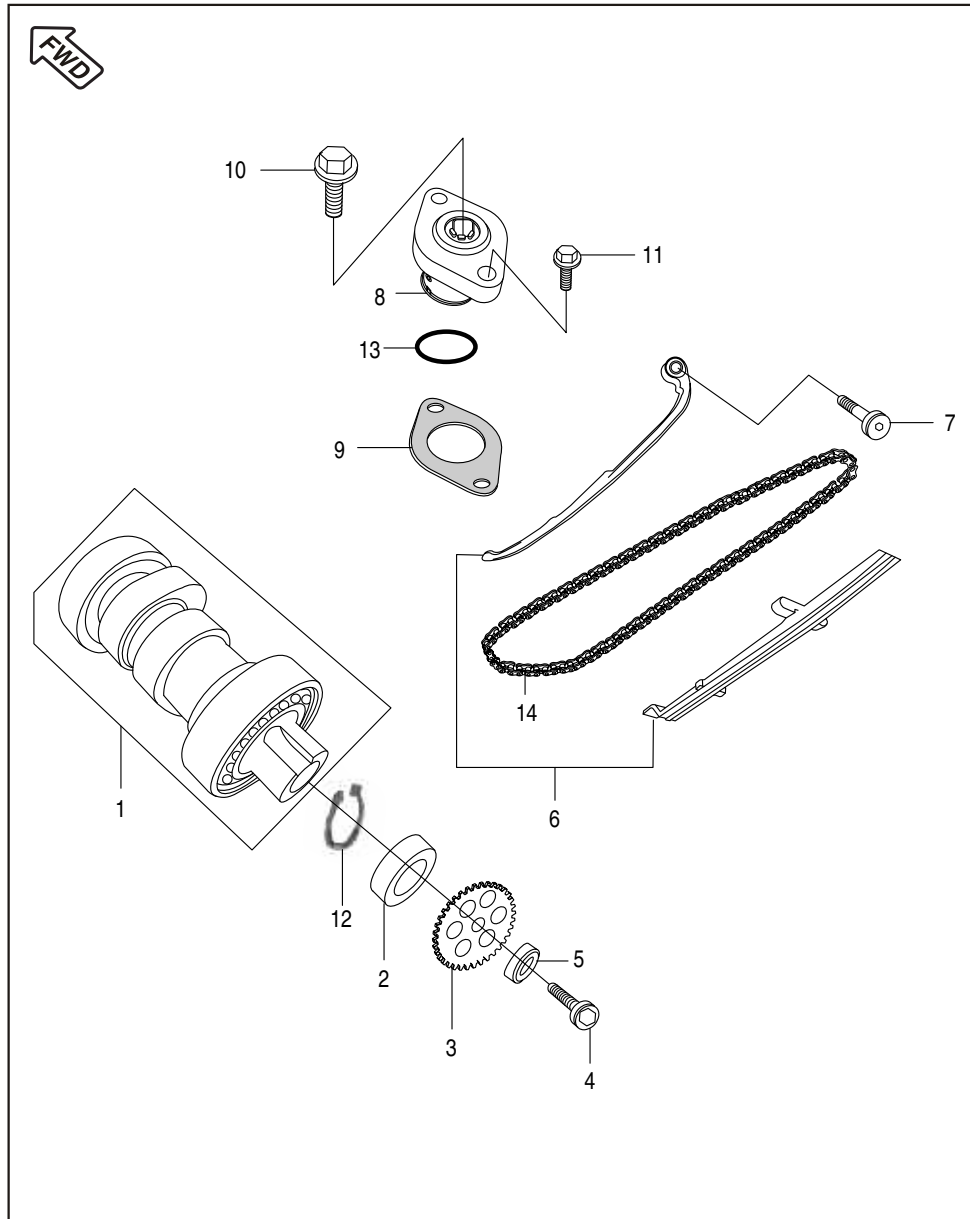
No.	Part No.	Description	Qty.	Remarks
1	36 JE00 13	Cylinder Head Assly. Black	1	Ref. Page No. 109
2	JA 5110 28	Stud	2	Silencer Mtg.
3	JD 5110 08	Gasket Cylinder Head	1	
4	JE 5814 00	Intake Manifold	1	
5	JA 5814 06	Bolt Flange M6 X 1 X 25 L	2	
6	JE 5814 01	Sleeve (Carburettor - Duct Rubber)	1	
7	DH 1210 38	Clamp (39mm)	2	
8	39 1283 21	'O' Ring (Intake Pipe)	1	
9	JD 5110 04	Sleeve Spark Plug R.H	1	
10	39 2608 01	Grub Screw	1	
11	39 2629 21	'O' Ring Sleeve	1	Top side
12	39 1283 21	'O' Ring Sleeve	1	Bottom side

Valve



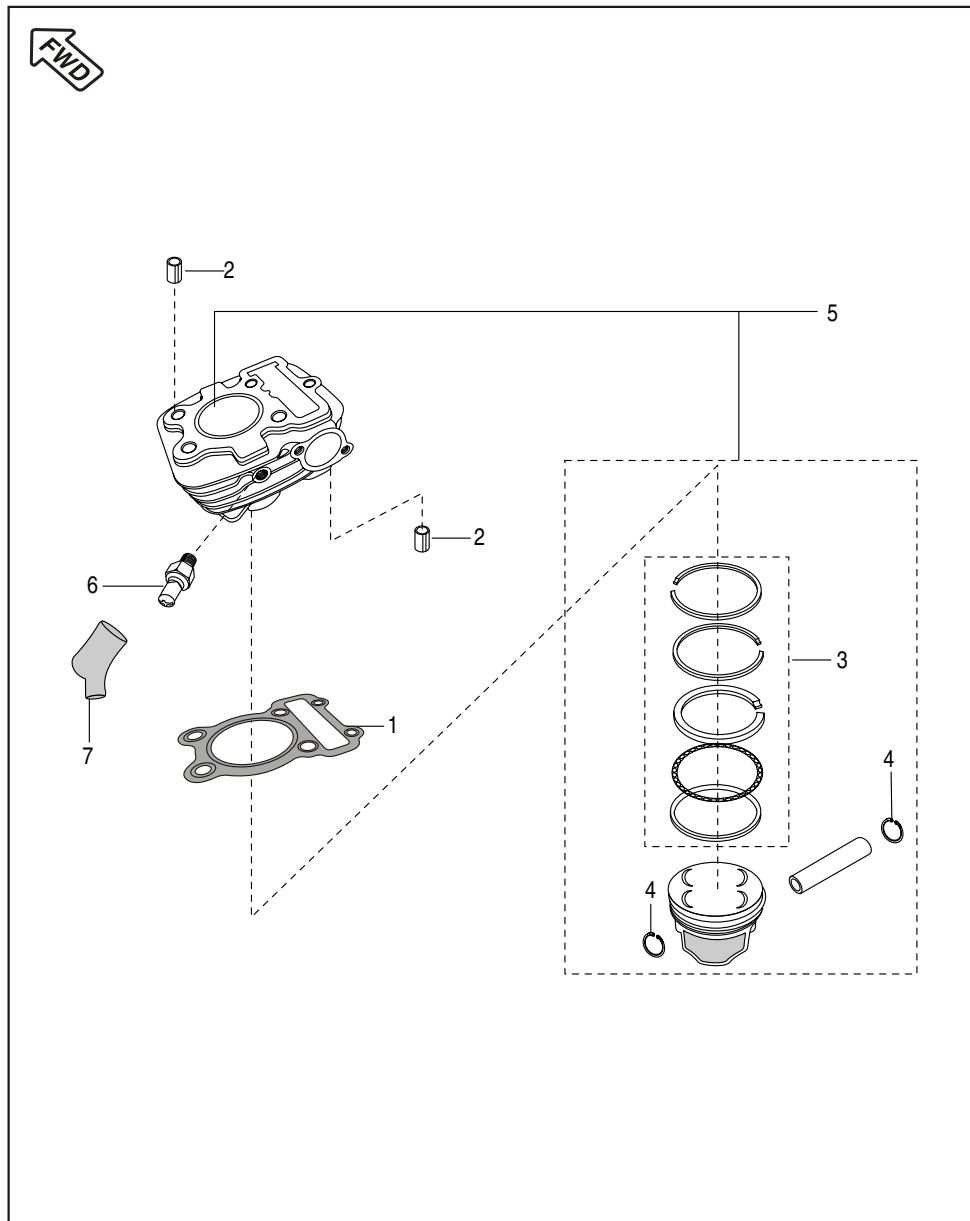
No.	Part No.	Description	Qty.	Remarks
1	JD 5112 09	Shaft Rocker Arm	2	
2	JD 5112 07	Rocker Arm with Roller	2	
3	DG 1010 29	Cotter Valve (Collet)	8	
4	JD 5112 01	Valve Intake	2	
5	JD 5112 02	Valve Exhaust	2	
6	36 JE00 01	Valve Repair Kit	2	Refer Page No.105
7	39 2017 19	Seal Valve Stem	4	

Camshaft / Tensioner



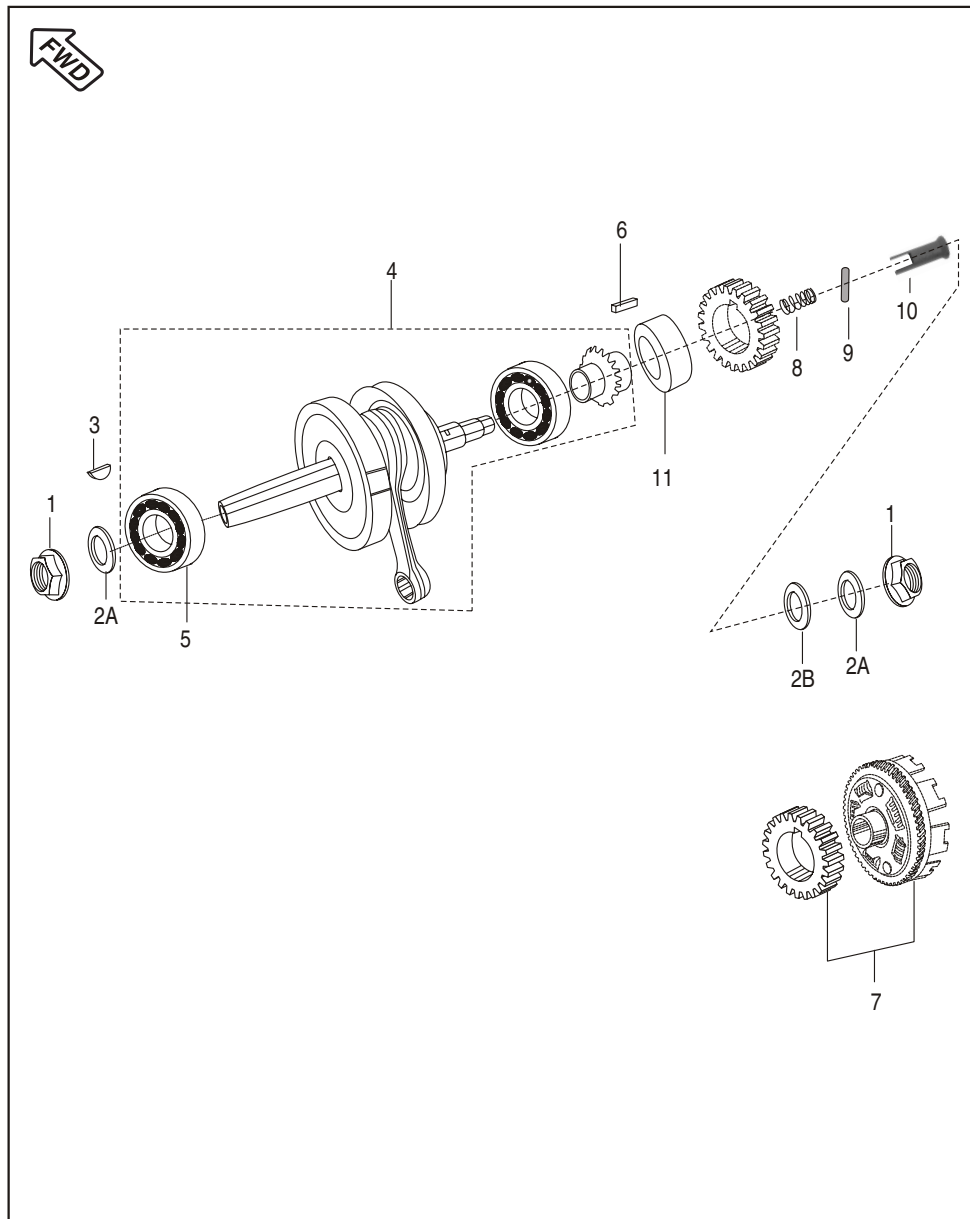
No.	Part No.	Description	Qty.	Remarks
1	JD 5112 11	Camshaft Complete	1	With Bearing
2	JA 5112 16	Spacer Cam Sprocket	1	
3	DS 1012 76	Sprocket Cam Shaft	1	
4	DH 1013 87	Pre-coated Socket Bolt M8 X 20	1	
5	DH 1010 48	Special Washer ('O' Washer)	1	
6	36 JE00 03	Guide Chain Kit	1	Refer Page No.105
7	DH 1013 92	Bolt Special	1	Mtg. Cam chain guide
8	JA 5210 17	Chain Tensioner (Black)	1	
9	CS 1011 28	Gasket	1	
10	DD 1010 62	Bolt Tensioner	1	
11	JA 5210 19	Flange Bolt M6 X 1 X 20 L	2	
12	39 0594 17	Circlip for Camshaft	1	
13	39 2669 21	'O' Ring (Tensioner)	1	
14	DS 1099 05	Cam Chain (94 Link)	1	

Cylinder and Piston



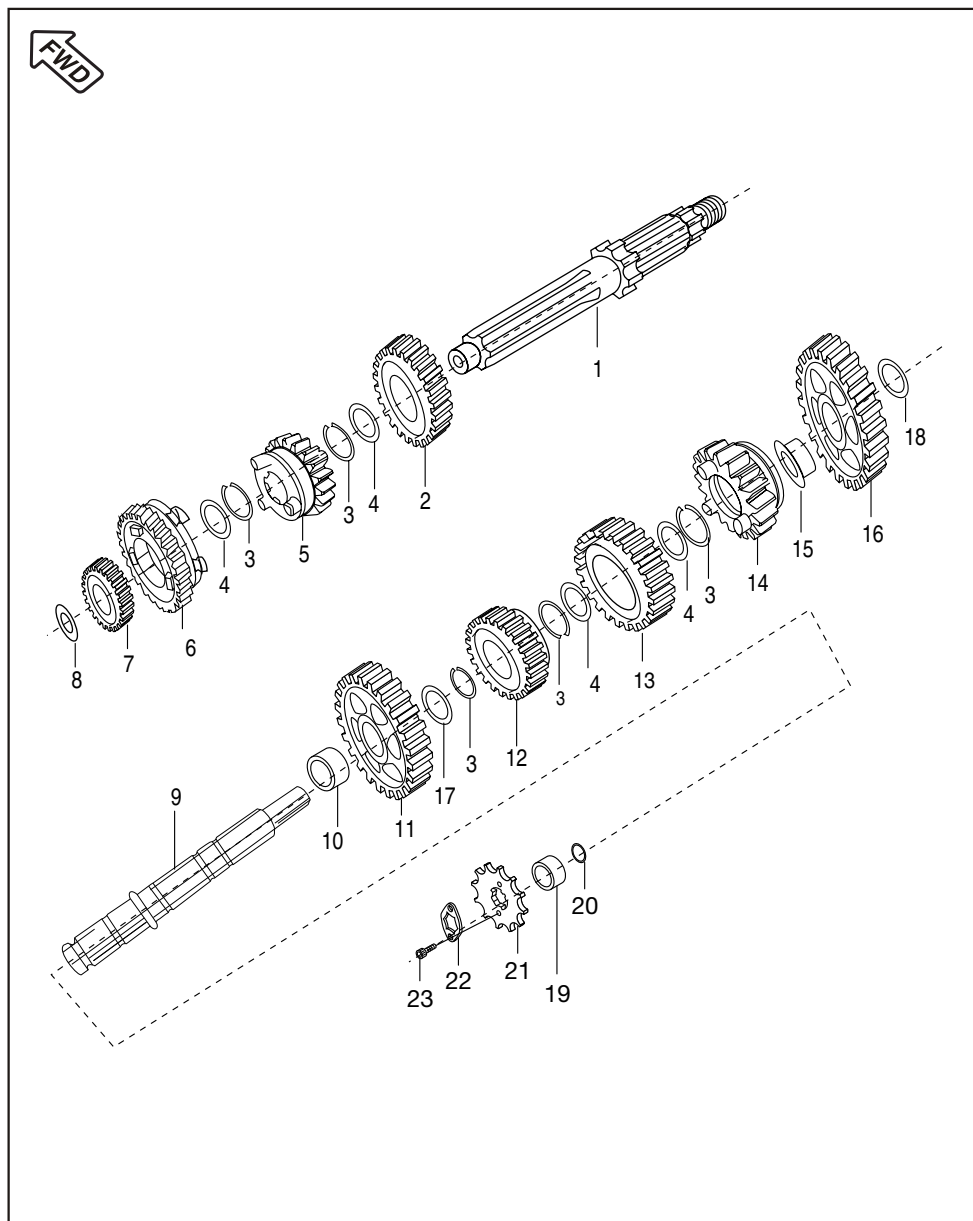
No.	Part No.	Description	Qty.	Remarks
1	JD 5210 02	Gasket Cylinder Block	1	
2	39 1000 06	Dowel Pin	4	
3	36 JE00 02	Piston Ring Set	1	Refer Page No.105
4	DP 1011 65	Wire Circlip	2	
5	36 JE00 12	Cylinder Block / Piston Assly.	1	Black Color
	52 JE00 16	Cylinder Block / Piston Assly.	1	Silver Color
6	JW 3514 00	Thermal Sensor	1	
7	JB 4022 02	Grommet for Thermal Sensor	1	

Crankshaft



No.	Part No.	Description	Qty.	Remarks
1	59 1500 14	Flange Nut	2	
2A	59 1200 03	Belleville Washer	2	
2B	59 1100 08	Plain Washer	1	
3	31 1011 73	Woodruff Key	1	
4	JZ 53100 3	Crank Shaft Assembly	1	
5	JE 5310 01	Ball Bearing	1	
6	DS 1011 54	Parallel Key	1	
7	36 JE00 04	Set Primary Drive / Driven	1	Refer Page No.105
8	JA 531012	Spring	1	
9	JA 5310 15	Parallel Pin	1	
10	JB 5310 21	Plunger Oil	1	
11	JD 5310 04	Spacer Crankshaft Clutch Side	1	
12	JD 5410 00	Damper Crankshaft	1	N.I.

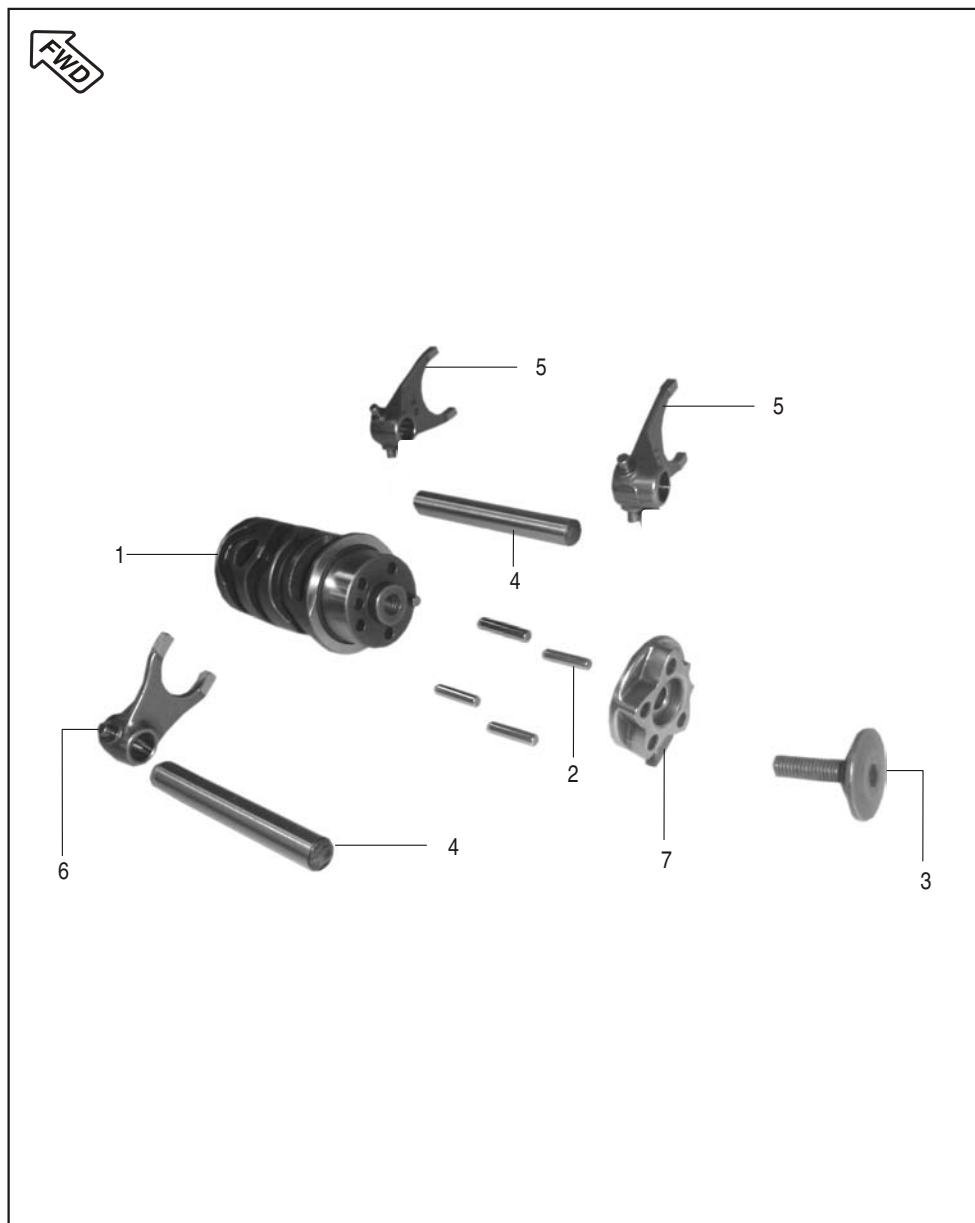
Transmission



No.	Part No.	Description	Qty.	Remarks
1	JD 5510 00	Shaft Input Transmission	1	
	JZ 5510 06	Shaft Input Transmission	1	* from Eng. no. BTL61775
2	JD 5512 07	Gear 4th Drive	1	
	JZ 5512 02	Gear 4th Drive	1	* from Eng. no. BTL61775
3	39 0987 17	Ring Snap	5	
4	JA 5510 02	Spline Washer	4	
5	JD 5512 06	Gear 3rd Drive	1	
	JZ 5512 01	Gear 3rd Drive	1	* from Eng. no. BTL61775
6	JD 5512 05	Gear 5th Drive	1	
	JZ 5512 13	Gear 5th Drive	1	* from Eng. no. BTL61775
7	JD 5512 01	Gear 2nd Drive	1	
	JZ 5512 00	Gear 2nd Drive	1	* from Eng. no. BTL61775
8	JA 5510 04	Washer Thrust 2nd Drive	1	
9	JV 5510 02	Shaft Output Transmission	1	
	JZ 5510 08	Shaft Output Transmission	1	* from Eng. no. BTL61775
10	JD 5512 08	Bush 2nd Driven	1	
	JZ 5512 10	Bush 2nd Driven	1	* from Eng. no. BTL61775
11	JD 5512 02	Gear 2nd Driven	1	
	JZ 5512 06	Gear 2nd Driven	1	* from Eng. no. BTL61775
12	JD 5512 03	Gear 5th Driven	1	
	JZ 5512 11	Gear 5th Driven	1	* from Eng. no. BTL61775
13	JD 5512 04	Gear 3rd Driven	1	
	JZ 5512 12	Gear 3rd Driven	1	* from Eng. no. BTL61775
14	JD 5512 00	Gear 4th Driven	1	
	JZ 5512 08	Gear 4th Driven	1	* from Eng. no. BTL61775
15	JZ 5512 05	Bush 1st Driven	1	
16	JZ 5512 04	Gear 1st Driven	1	
17	JD 5512 09	Spline Washer	1	
18	JA 5510 08	Washer Thrust 1st Driven	1	
19	JA 5510 09	Collar Sprocket Drive	1	
20	59 2100 24	'O' Ring Collar Sprocket	1	
21	JV 5510 00	Sprocket Drive (15 T)	1	
22	DU 1012 13	Plate Lock Sprocket	1	
23	39 1981 04	Socket Head Bolt	2	

Note - * The Gear Transmission components are changed in view of commonisation with other models. This is implemented from Eng. No. BTL61775. (Ref. Circular IB15) This is not interchangeable with Old Vehicles.

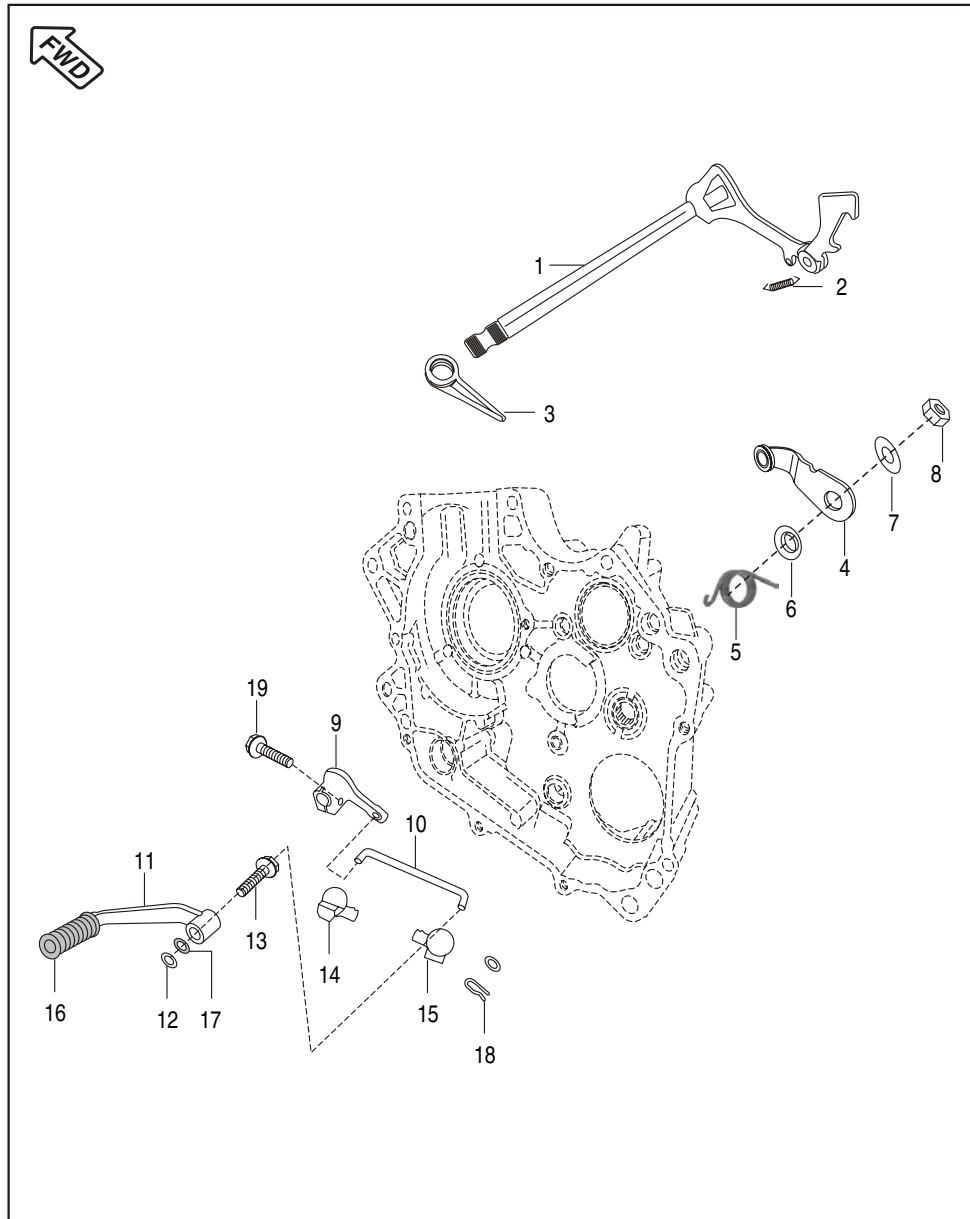
Change Drum / Shift Fork



No.	Part No.	Description	Qty.	Remarks
1	JD 5610 01	Drum Complete Gear Shift	1	
	JE 5610 01	Drum Complete Gear Shift	1	* from Eng. no. BTL61775
2	39 0992 06	Dowel (Pin Drum Change)	4	
3	JD 5610 11	Special Bolt	1	
4	JD 5610 06	Shaft Gear Shift Fork	2	
5	JD 5610 04	Fork Gear Shift Output	2	
6	JD 5610 05	Fork Gear Shift Input	1	
	JZ 5610 02	Fork Gear Shift Input	1	* from Eng. no. BTL61775
7	JD 5610 02	Cam Drum Change	1	

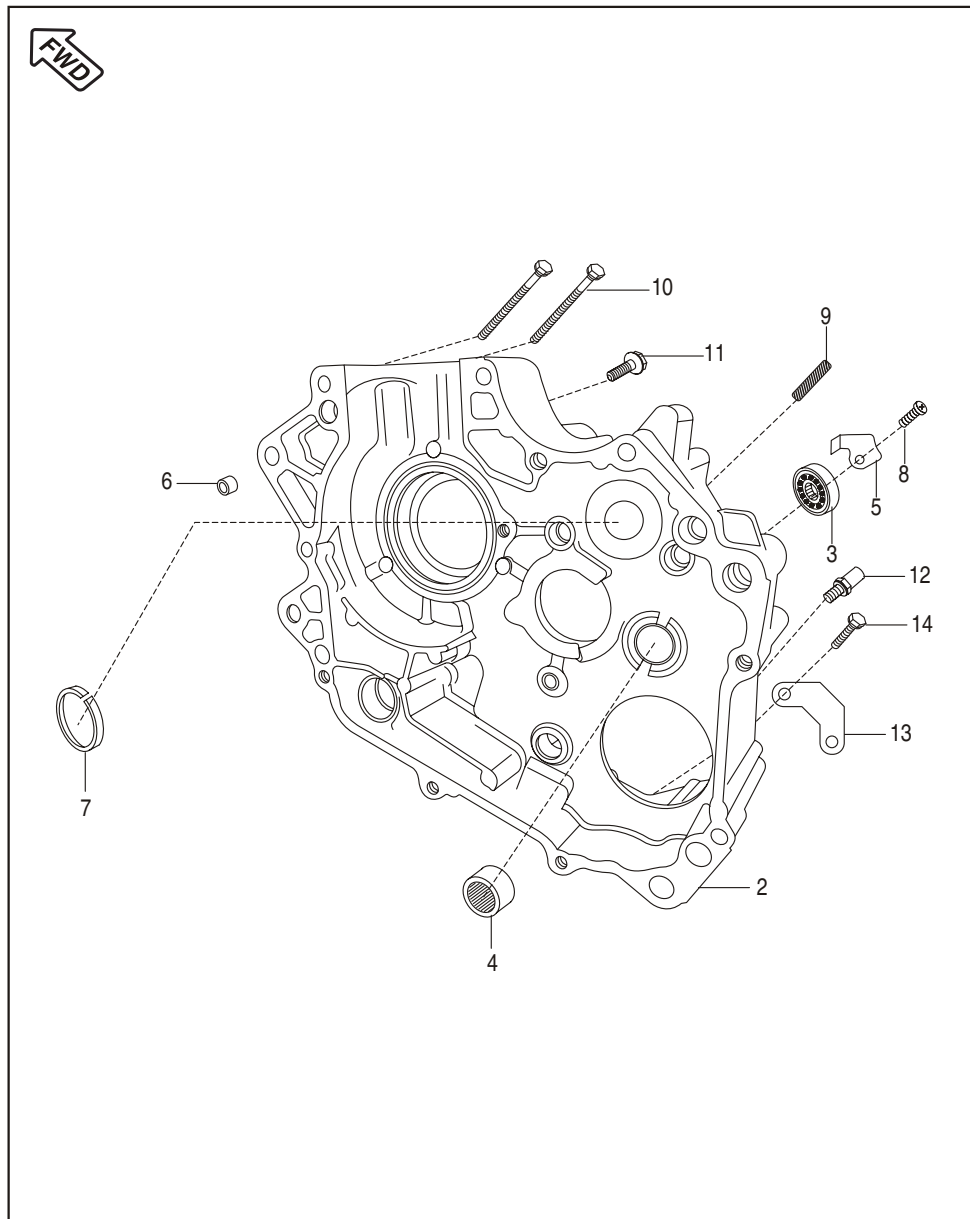
Note - * The Gear Transmission components are changed in view of commonisation with other models. This is implemented from Eng. No. BTL61775. (Ref. Circular IB15)
This is not interchangeable with Old Vehicles.

Gear Change Mechanism



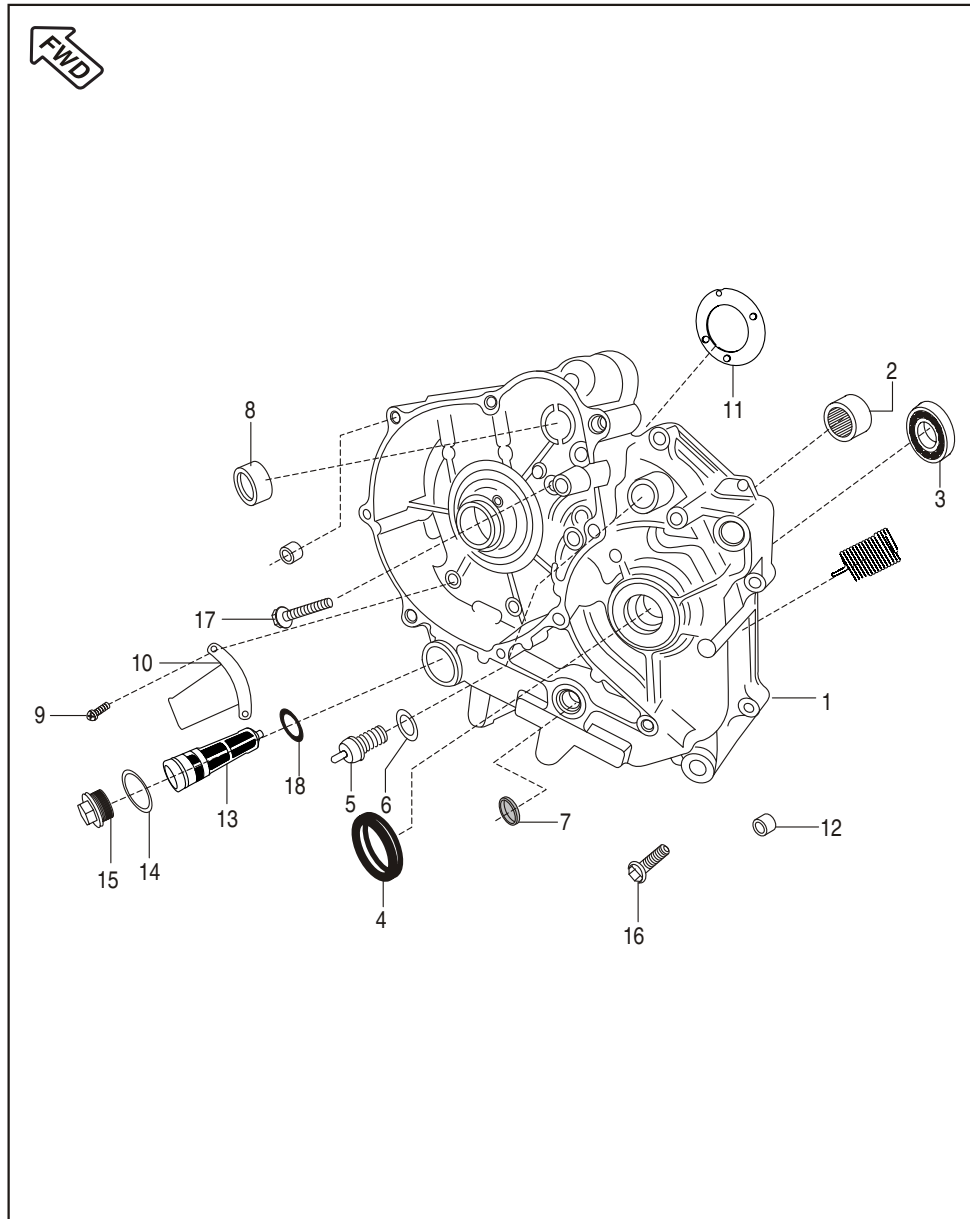
No.	Part No.	Description	Qty.	Remarks
1	JW 5612 05	Lever Complete Gear Shift	1	
2	JW 5612 06	Extension Spring	1	
3	JW 5612 08	Spring Gear Shift Return	1	
4	JD 5612 03	Inhibitor Complete Gear Shift	1	
5	JD 5612 04	Spring Inhibitor	1	
6	JA 5612 09	Step Washer (Collar)	1	
7	39 2704 11	Plain Washer	1	
8	39 0817 15	Nut	1	
9	JD 5614 11	Assembly Lever Change Arm	1	
10	JD 5614 13	Tie Rod	1	
11	JD 5614 14	Assembly Lever Complete Change	1	
12	JD 5614 16	Washer - Nylon	2	
13	JC 1910 09	Bolt Step	1	
14	JD 5614 17	Boot - Change Arm	1	
15	JD 5614 18	Boot - Change Lever	1	
16	DH 1015 09	Damper	1	
17	39 1998 19	Seal Oil	2	
18	39 0808 08	Split Pin	2	
19	39 1902 04	Bolt Flange	1	

Engine Assembly / Crankcase RH



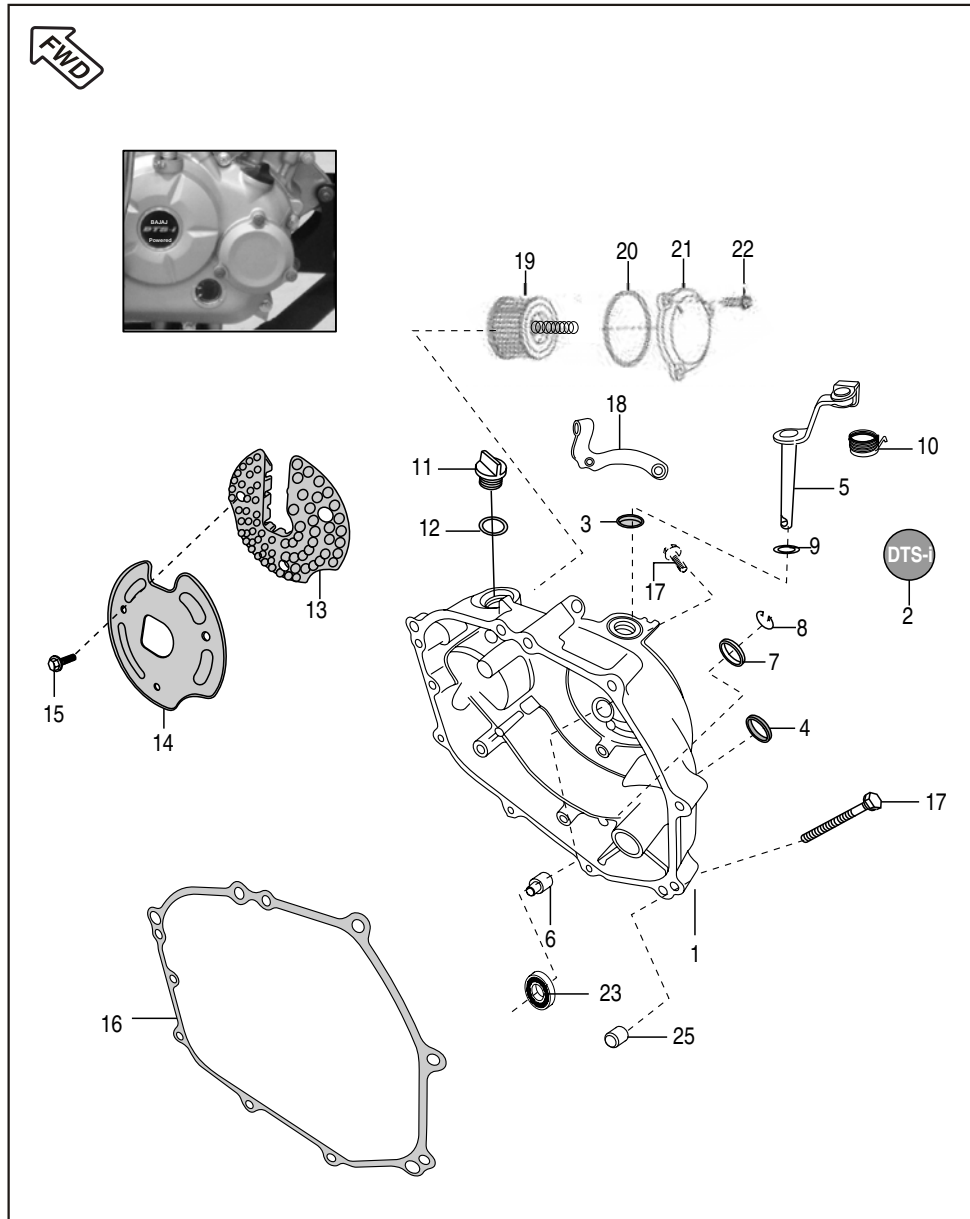
No.	Part No.	Description	Qty.	Remarks
1	JE 5010 01	Engine Assembly Silver	1	N.I.
	JE 5010 00	Engine Assembly Black	1	N.I.
	JE 5010 09	Engine Assembly Moonlight Silver	1	N.I.
2	52 JE00 12	Crankcase Clutch Side	1	Silver Color
	36 JZ00 09	Crankcase Clutch Side	1	Black Color(from 18.06.10) Ref. Page No. 109,
3	59 2000 36	Bearing Ball	1	For Input Shaft
4	JA 5410 11	Needle Roller Bearing	1	For Output Shaft
5	JA 5410 10	Stopper Plate	1	
6	39 0999 06	Dowel Pin	2	
7	DU 1010 85	Bushing	1	
8	DH 1013 80	Screw	1	
9	52 JA00 27	Stud Inhibitor Mounting	1	
10	JA 5412 35	Flange Bolt M6 X 1 X 85 L	2	
11	59 0400 38	Bolt Flange	1	Crankcase Mtg.
12	52 JA00 29	Bolt Shift Change	1	
13	JA 5410 12	Guide Kick	1	
14	39 1964 04	Hexagon Bolt	2	

Crankcase LH (Magneto Side)



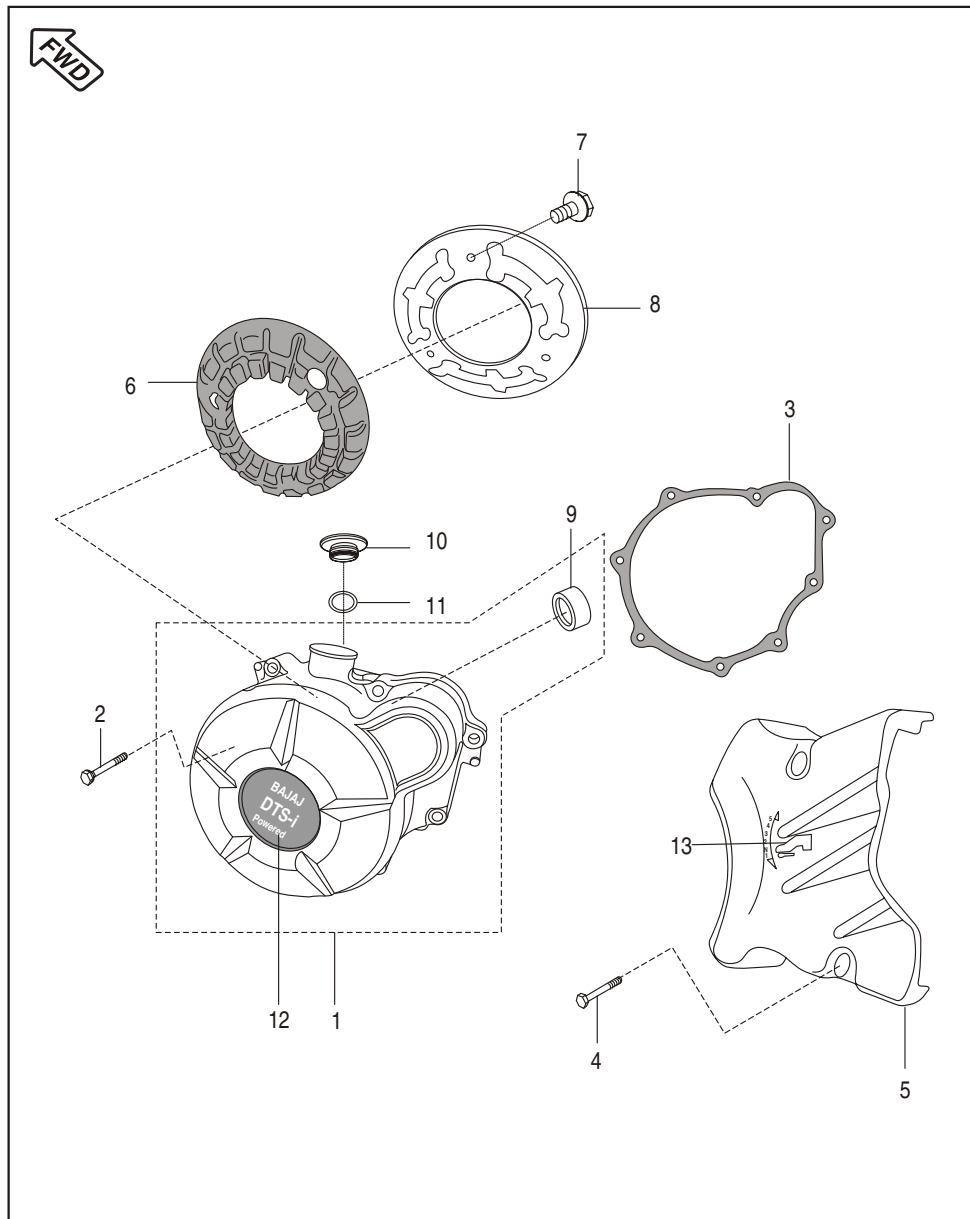
No.	Part No.	Description	Qty.	Remarks
1	52 JE00 13	Crankcase Magneto Side NRB + BUSH + Nozzle Oil Jet	1	Silver Color
	36 JZ00 11	Crankcase Magneto Side	1	Black Color (from 18.06.10) Ref. Page No. 109,
2	39 2562 20	Needle Roller Bearing	1	
3	59 2000 36	Ball Bearing	1	
4	39 1715 19	Seal Oil	1	Output Shaft
5	31 2010 81	Neutral Switch	1	
6	DH 1017 84	Gasket Neutral Switch	1	
7	39 2190 19	Oil Seal	1	Shifter Shaft
8	JA 5410 05	Bush Starter Clutch	1	Starter Clutch
9	39 0747 01	Pan Head Screw	2	
10	JA 5410 34	Stopper Gear Starter Clutch	1	
11	JA 5410 27	Damper	1	
12	39 0999 06	Hollow Dowel Pin	2	
13	JA 5410 19	Mesh Filter Oil strainer	1	
14	59 2100 23	'O' Ring Cap Strainer	1	
15	JA 5410 21	Cap Strainer	1	
	JE 5412 18	Cap Strainer (Moonlight Silver)	1	
16	59 0400 38	Bolt Flange	6	Crankcase Mtg.
17	39 1759 04	Bolt	1	Crankcase Mtg.
18	JA 5410 20	'O' Ring Mesh Filter Oil Strainer	1	

Cover Clutch



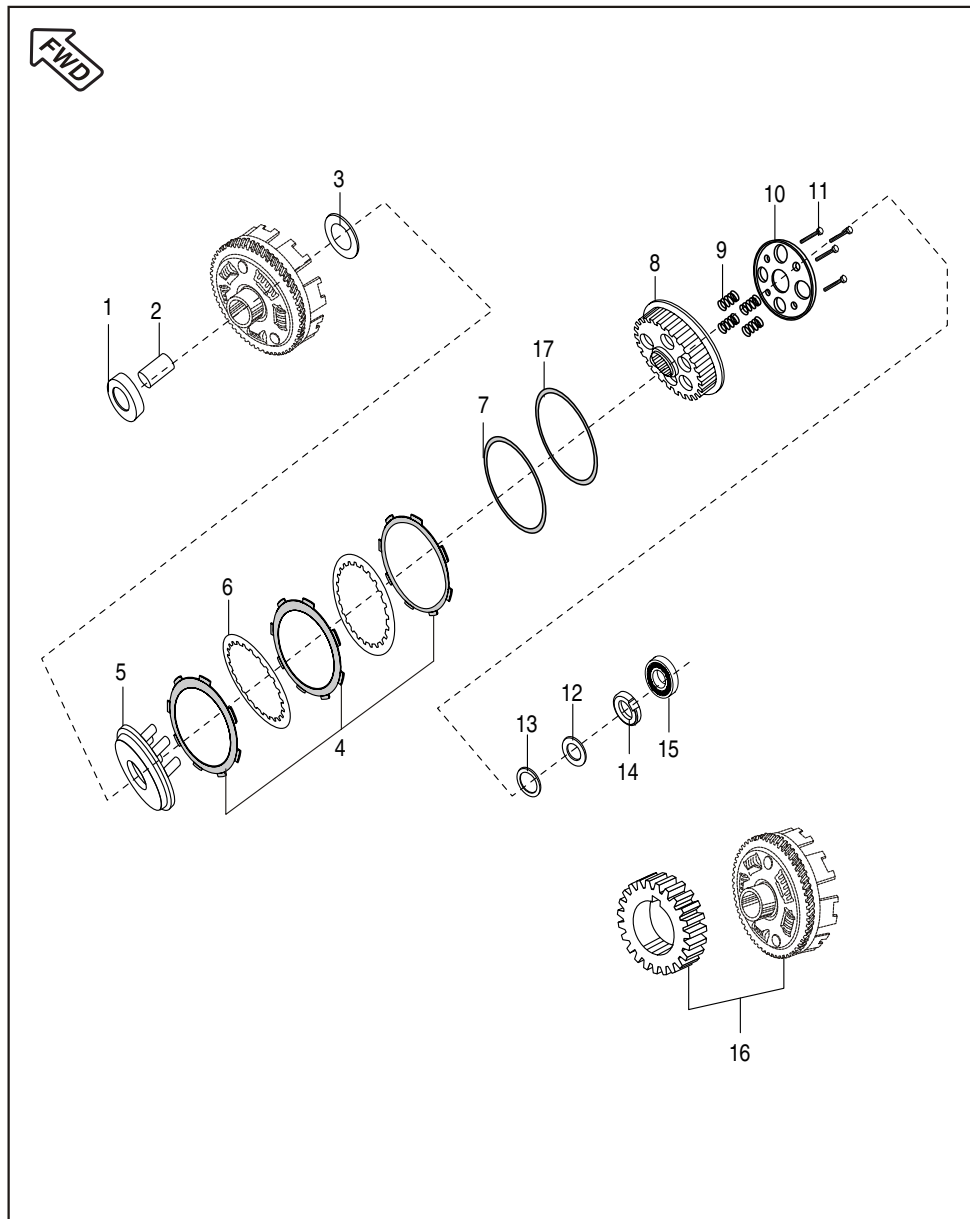
No.	Part No.	Description	Qty.	Remarks
1	52 JE00 18	Clutch Cover	1	Silver Color
	36 JZ00 13	Kit cover Clutch Complete	1	Black Color
				Ref. Page No. 109
	36 JD00 10	Kit cover Clutch Complete	1	Moon Light Silver
2	JE 5412 11	Decal Clutch Cover	1	
3	39 1041 19	Oil Seal Clutch Lever	1	
4	30 1011 42	Oil Seal (Kick Shaft)	1	
5	JV 5412 08	Shaft Clutch Release	1	
6	JE 5514 01	Rod Push	1	
7	DG 1014 18	Gauge	1	Oil Level Check
8	DS 1012 15	Wire Circilp	1	
9	JA 5412 36	Plain Washer (12.5X24X0.8)	1	
10	JA 5412 37	Spring Torsion Clutch Lever	1	
11	JA 5412 11	Cap Oil Filler	1	
12	JA 5412 25	'O' Ring Cap Oil Filler	1	
13	JE 5412 09	Damper	1	
14	JA 5412 16	Plate Damper	1	
15	LA D000 18	Bolt Flange	3	
16	JA 5412 12	Gasket Clutch Cover	1	
17	59 0400 38	Bolt Flange	8	Clutch Cover to Crankcase Mtg
18	JW 5410 00	Bracket Clutch Cable	1	
19	DD 1211 81	Oil Filter Element	1	
20	39 1671 21	'O' Ring	1	
21	JZ 5412 14	Cap Filter	1	
22	39 167304	Bolt Flange	3	
23	14 1510 33	Bearing Wheel Clutch Lifter	1	
24	39 0999 06	Pin Hollow Dowel	2	

Cover Magneto



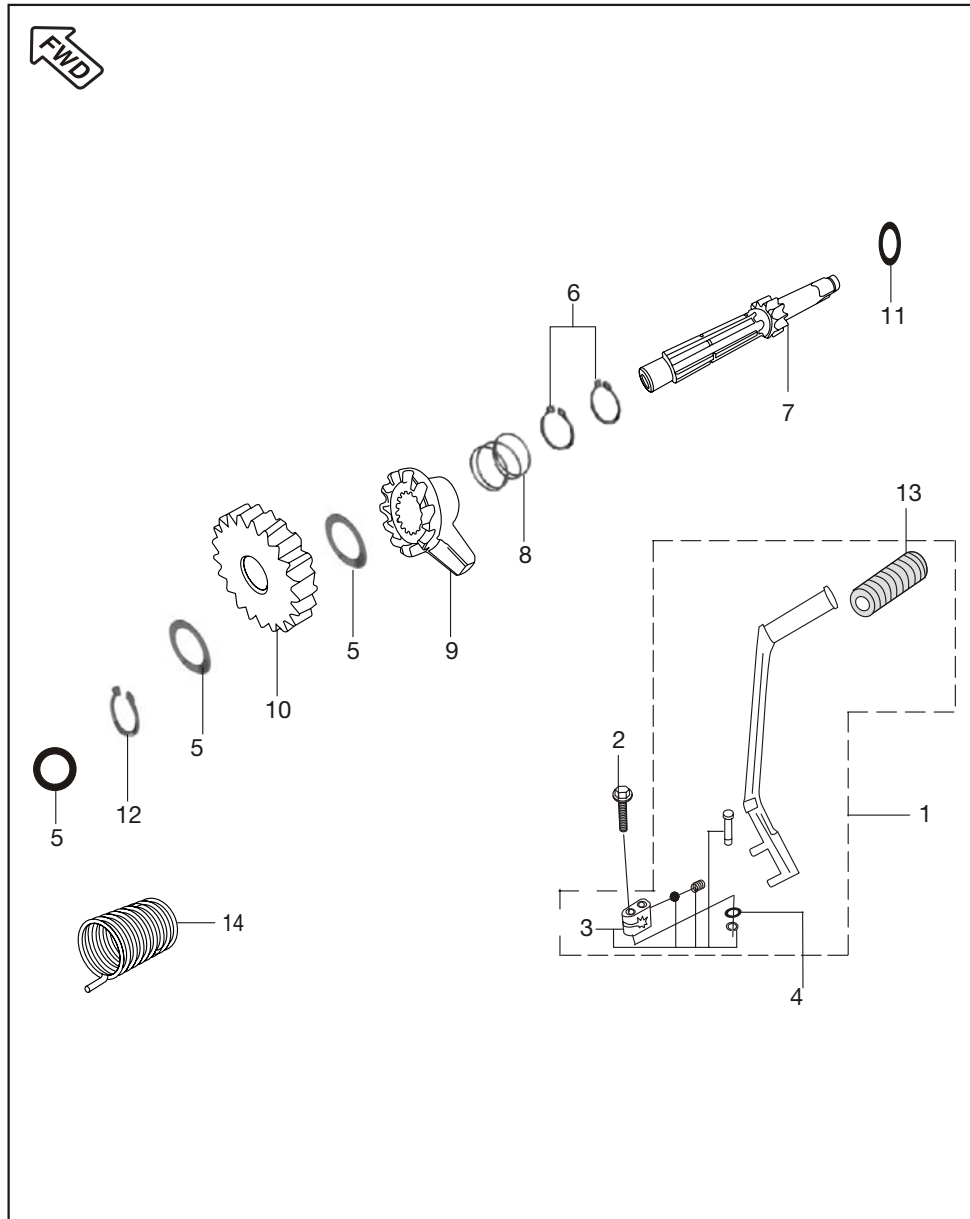
No.	Part No.	Description	Qty.	Remarks
1	52 JE00 17	Cover Magneto	1	Silver Color
	36 JZ00 15	Kit Cover Magneto	1	Black Color Ref. Page No. 109,
	36 JD00 09	Kit Cover Magneto	1	Moon Light Silver
2	39 1065 04	Bolt Flange	8	
3	JA 5412 05	Gasket Magneto Cover	1	
4	59 0400 38	Bolt	2	
5	JE 5412 07	Cover LH Rear Complete	1	Black Color
	52 JE00 49	Cover LH Rear Complete	1	Moon Light Silver
6	JE 5412 10	Damper Cover Magneto	1	
7	LA D000 18	Flanged Bolt	3	
8	JA 5412 21	Plate Damper Cover Magneto	1	
9	JA 5410 05	Bush	1	For Drive Gear Assly
10	JA 5412 33	Cap TDC Finder	1	
11	30 1011 95	'O' Ring	1	
12	JE 5412 12	Decal Magneto Cover	1	
13	DJ 1610 12	Gear Shift Label	1	

Clutch Assly



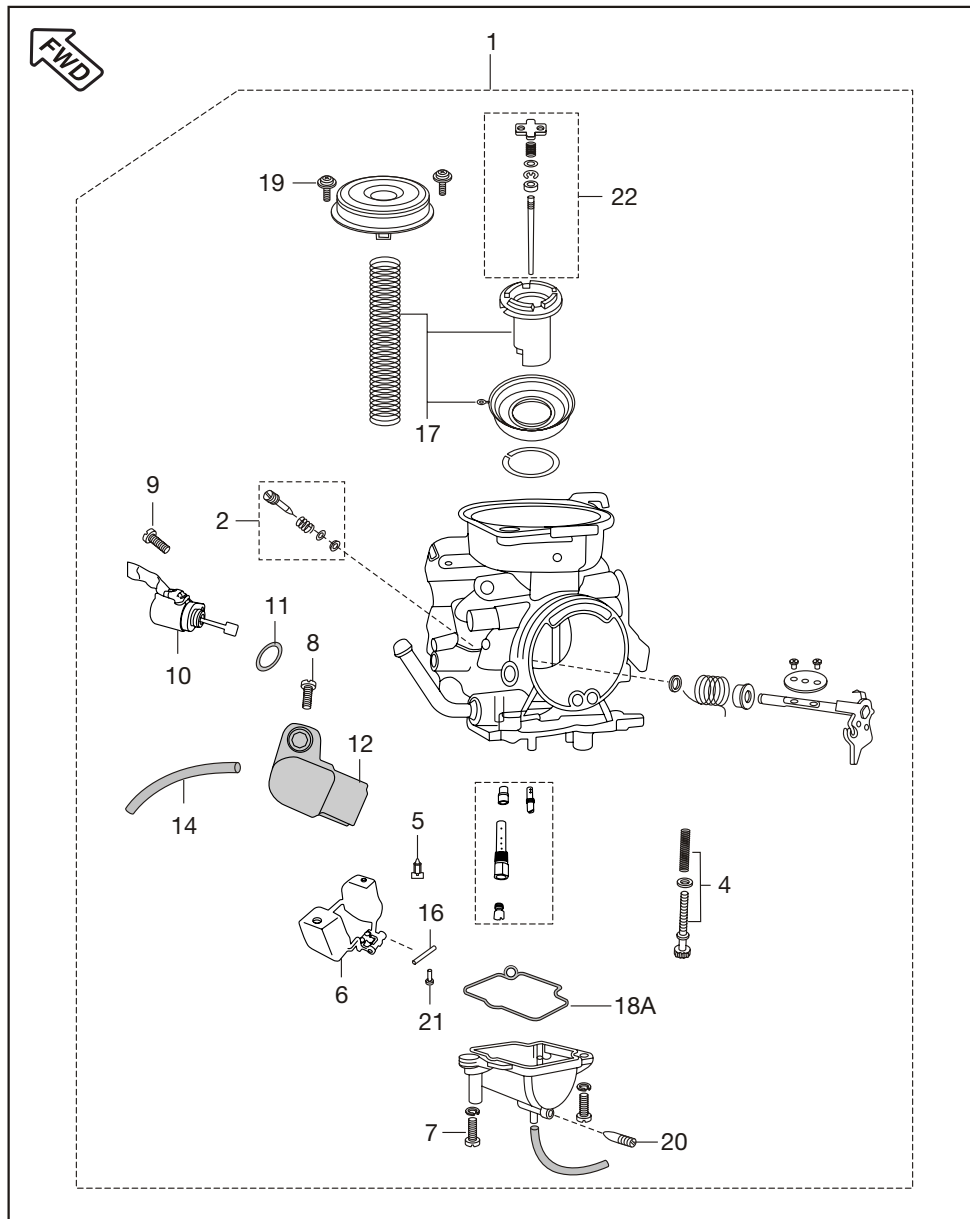
No.	Part No.	Description	Qty.	Remarks
1	JD 5514 00	Spacer Clutch Assely	1	'JD' Mark for I.D.
2	JA 5514 06	Collar Clutch	1	
3	39 2600 11	Washer	1	
4	36 JE00 05	Friction Plate Kit	1	
5	DP 1011 07	Wheel Clutch	1	
6	DP 1011 11	Plate Clutch	4	
7	JA 5514 22	Plate Judder Spring	1	
8	JE 5514 03	Hub Clutch	1	
9	JE 5514 04	Compression Spring	4	
10	JE 5514 05	Holder Clutch	1	
11	39 1553 04	Bolt Flange	4	
12	39 2200 11	Belleville Washer	1	
13	39 0240 11	Plain Washer	1	
14	DH 1016 48	Nut Special	1	L.H. Threads
15	14 1510 33	Bearing Clutch Lifter	1	
16	36 JE00 04	Set Primary Drive & Driven	1	Refer Page No. 105
17	DP 1011 14	Spring Anti Judder	1	
18	JE 5514 00	Clutch Assembly	1	

Kick Starter Mechanism



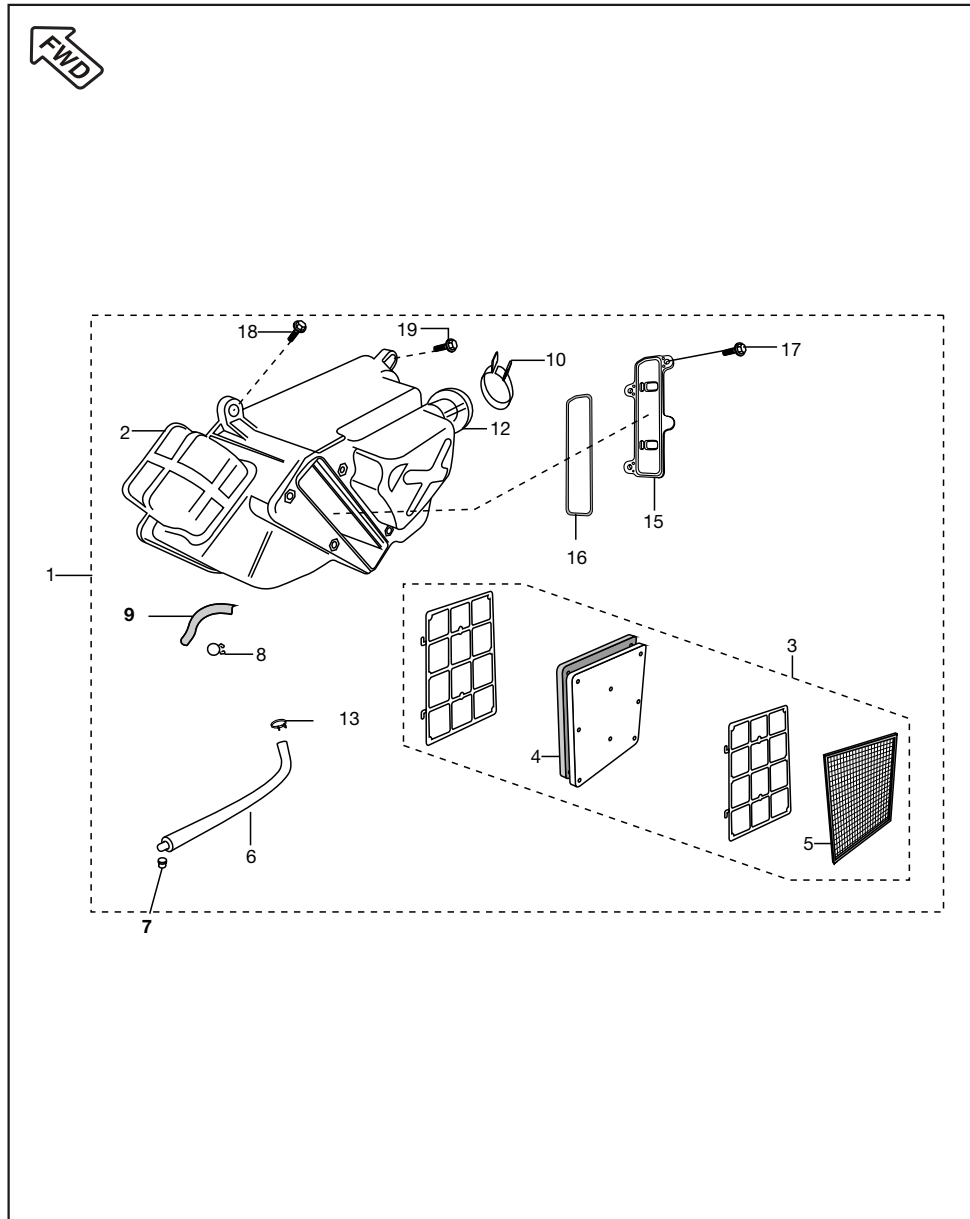
No.	Part No.	Description	Qty.	Remarks
1	JE 6212 00	Lever Assly Kick	1	
2	59 0400 25	Bolt Special	1	
3	36 DU10 07	Boss Kick Set	1	Refer Page No. 105
4	22 1502 41	Plain Washer	1	
5	39 0993 11	Plain Washer Small	3	
6	39 0738 17	Circlip Shaft	2	
7	JD 6210 01	Shaft Kick	1	
8	DS 1011 17	Spring Kick Starter	1	
9	JA 6210 02	Ratchet	1	
10	JZ 6210 00	Gear Spur Kick Start Assly.	1	
11	JA 6210 06	Washer Thrust	1	
12	39 2408 17	Circlip	1	
13	DD 1010 97	Kick Rubber	1	
14	JE 5410 08	Spring Kick Starter Return	1	

Carburettor



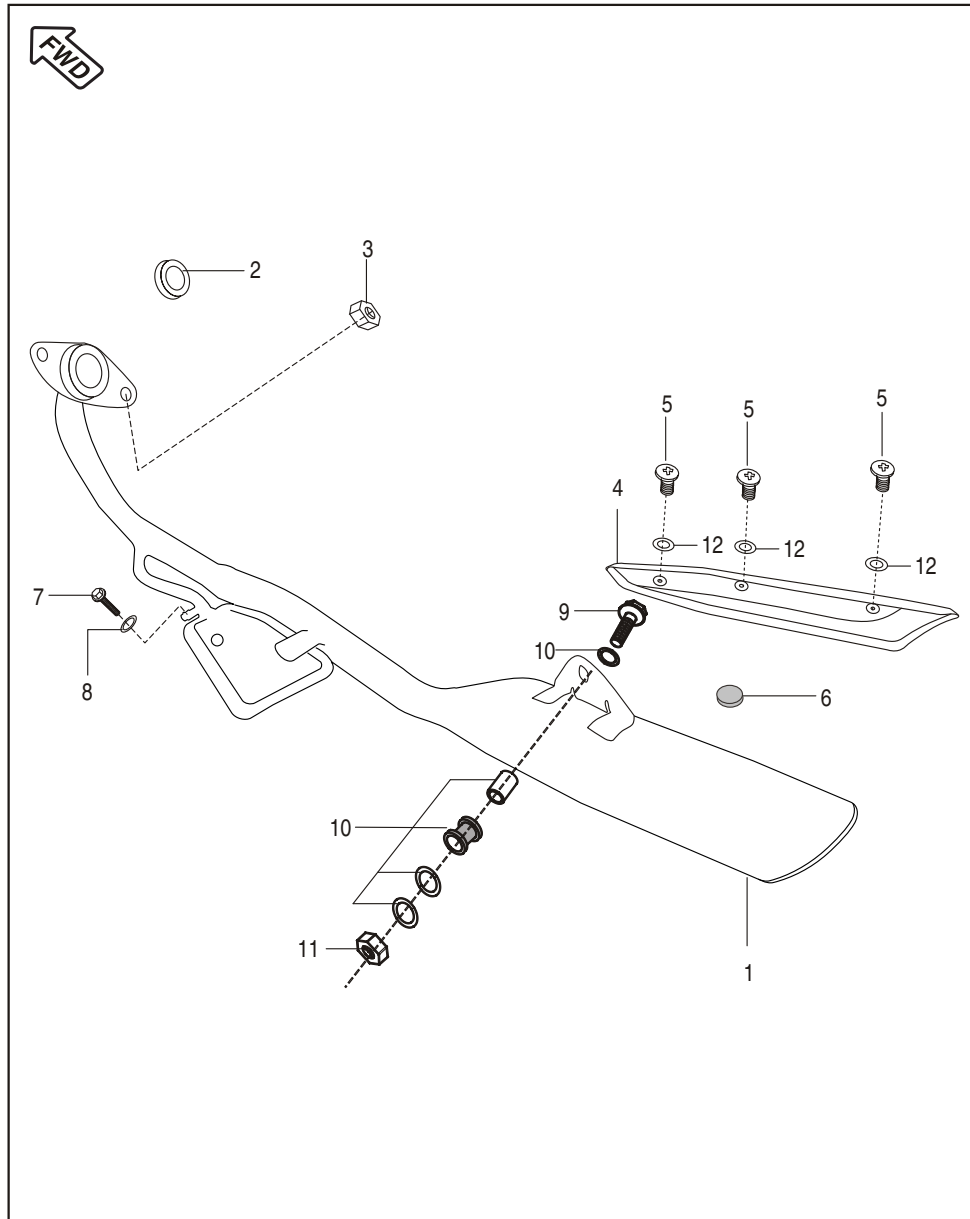
No.	Part No.	Description	Qty.	Remarks
1	JE 5812 00	Carburettor assly.	1	
	JE 5812 30	Carburettor assly. with TPS	1	from Ch. no. UCK00506
2	36 JD00 02	Air screw Kit	1	Refer Page No. 106
3	36 JD00 01	Jet Kit	1	Refer Page No. 106
4	DK 1210 41	Idling screw kit	1	Refer Page No. 106
5	DH 1210 93	Needle Valve Assly.	1	
6	DH 1210 59	Float complete	1	
7	DP 1210 67	Screw Float chamber	3	
8	JE 5812 20	Screw TPS	1	
9	JE 5812 22	Screw Solenoid choke	1	
10	JE 5812 21	Solenoid choke assly	1	
11	JE 5812 15	"O" ring solenoid choke	1	
12	JD 5812 02	Throttle position sensor	1	
13	JE 5812 25	"O" Ring (TPS)	1	N.I.
14	JE 5812 23	Tube Over Flow	1	
15	JE 5812 24	Tube Air Vent	1	N.I.
16	DH 1210 63	Float Pin	1	
17	36 JD00 04	Vacuum Piston Kit	1	Refer Page No. 106
18	36 JD00 05	Carburettor Gasket 'O' ring Kit	1	Refer Page No. 106 (N.I.)
18A	DP 1210 59	'O' Ring	1	
19	JE 5812 19	Screw for Diaphragm Cover	1	
20	JE 5812 18	Drain Screw	1	
21	DH 1210 64	Screw Needle Shaft	1	

Air Cleaner Complete



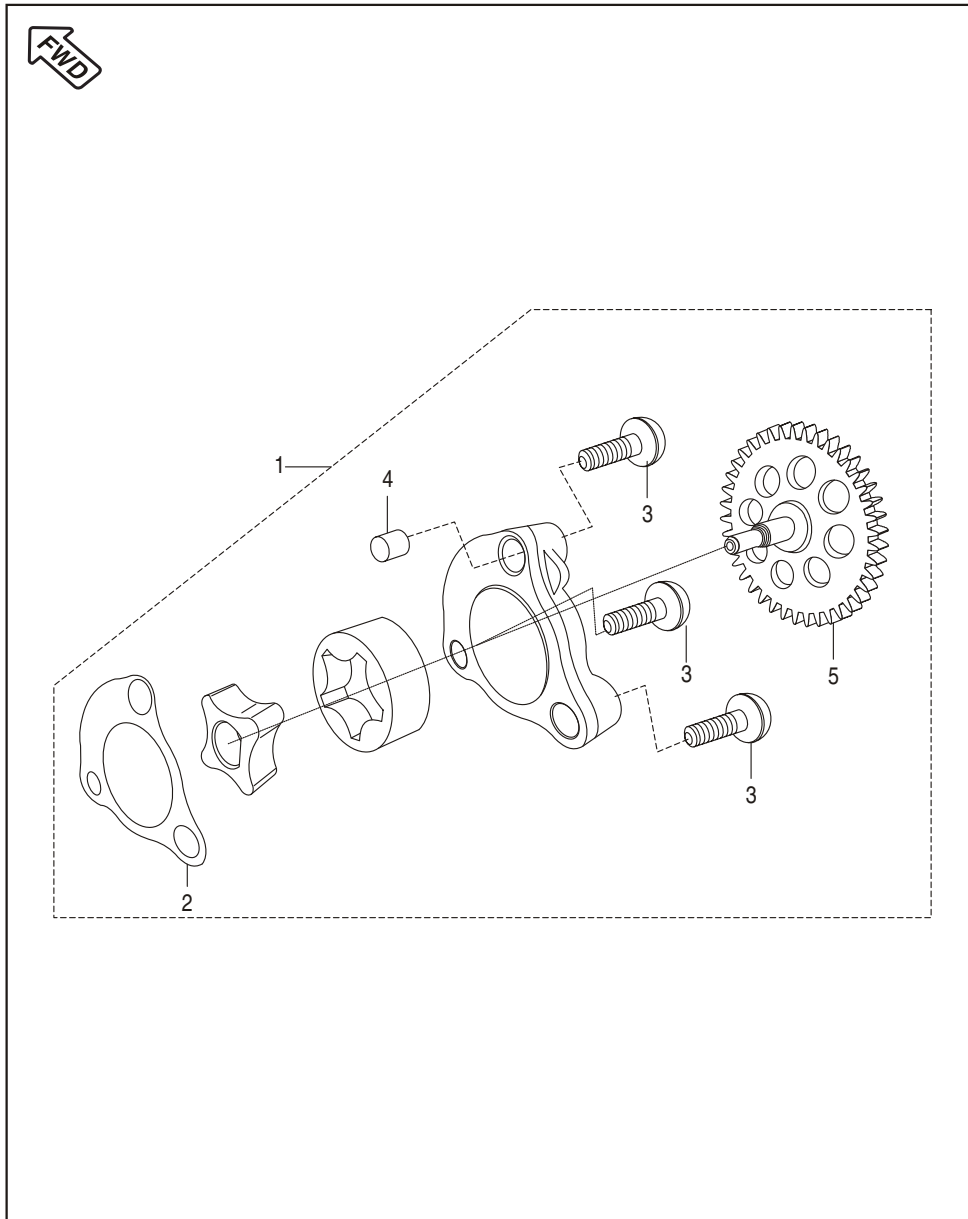
No.	Part No.	Description	Qty.	Remarks
1	JD 5810 05	Air Filter Assly	1	
2	JD 5810 01	Air Filter Duct	1	Intake
3	JA 5810 05	Assly Cartridge Air filter	1	
4	JA 5810 06	Element Air Filter	1	
5	JA 5810 09	Flame Arrester	1	
6	JA 5810 12	Tube Drain	1	
7	DS 1211 26	Plug	1	
8	DG 1210 02	Clamp	1	
9	JA 5110 11	Hose Breather	1	N.I.
10	DH 1210 38	Band Insulator	1	
11	JD 1110 12	Bracket Side Cover Mtg.	1	N.I.
12	JE 5810 00	Connecting Tube	1	
13	39 2754 04	Hex Head Bolt	2	
14	JD 5810 07	Filter Air Cover	1	
15	JA 5810 13	Cover Assembly Cartridge	1	
16	JA 5810 11	'O' Ring Cartridge Cover	1	
17	39 1773 04	Flange Bolt	4	For Cartridge Cover
18	JA 5210 19	Flange Bolt	2	
19	39 1677 04	Flange Bolt	1	

Silencer Assembly



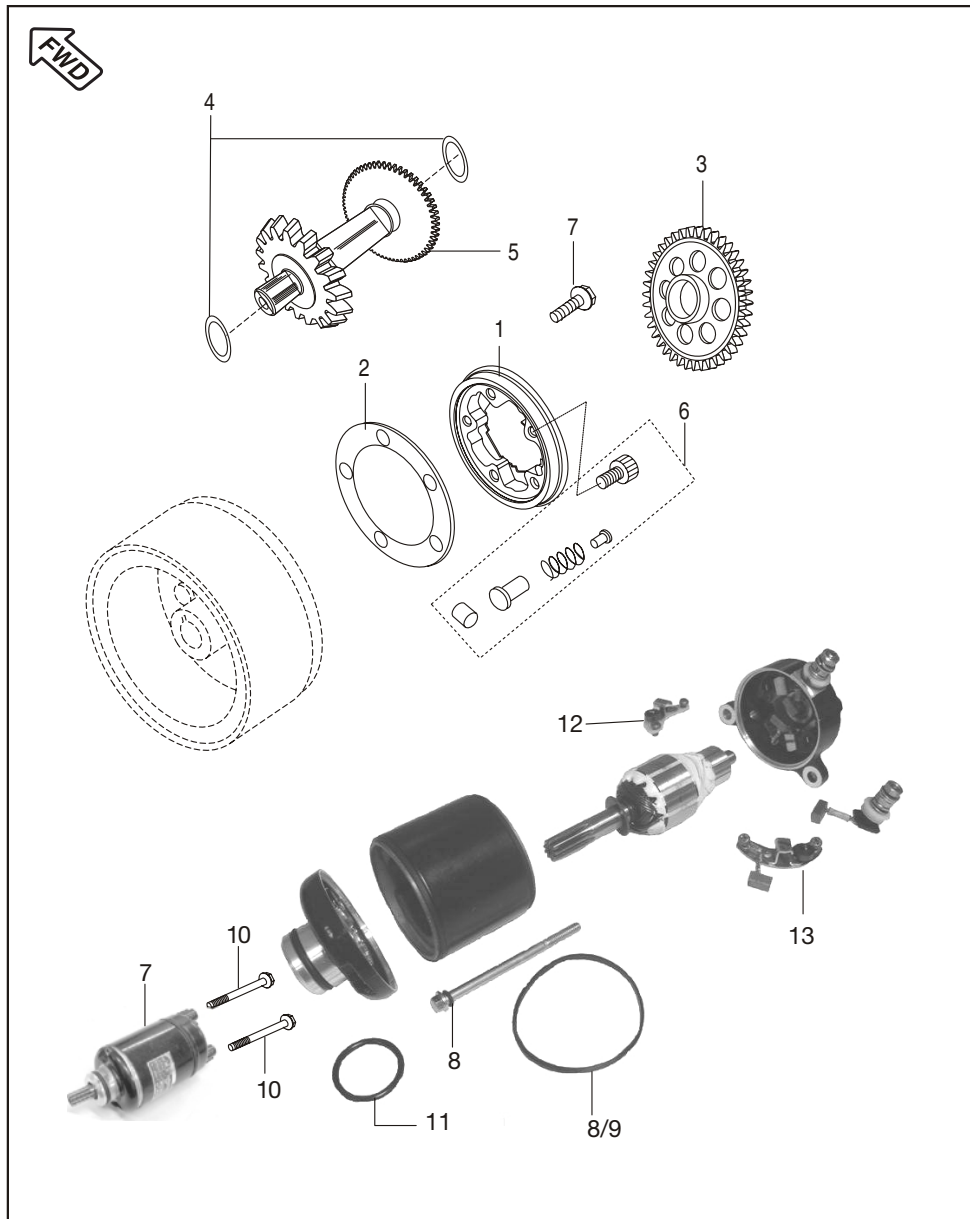
No.	Part No.	Description	Qty.	Remarks
1	JD 5910 56	Silencer Assly Without Shield	1	
	JD 5910 57	Assly. Silencer W/O Cat	1	
2	CB 1011 14	Gasket Exhaust Mounting	1	
3	JA 5910 40	Flange Nut	2	
4	JD 5910 26	Shield Silencer	1	
5	DH 1013 95	Truss Screw	3	
6	JW 5910 30	Grommet Shield	1	
7	39 2754 04	Bolt Hex with Flange M5	1	
8	39 2492 11	Plain Washer	1	
9	DK 1013 14	Bolt M10X 1.25	1	
10	36 DK00 09	Hardware Kit	2	Silencer Mtg.
11	DD 1610 71	U Nut M10X1.25	1	
12	DH 1013 01	Seal Shield Muffler	3	

Oil Pump



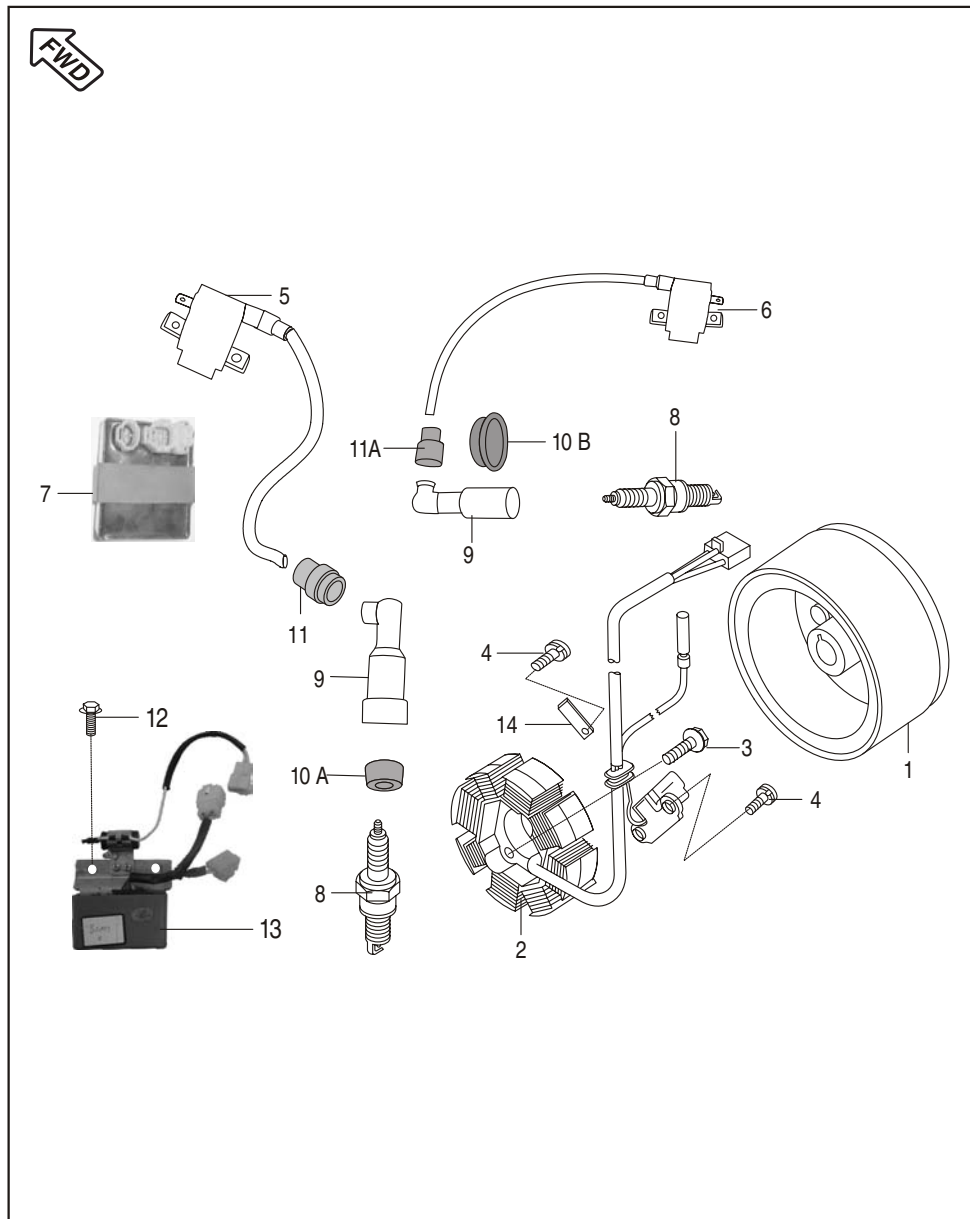
No.	Part No.	Description	Qty.	Remarks
1	52 JA00 23	Oil Pump Assly	1	
2	JA 5410 16	Gasket Case Oil Pump	1	
3	FD 1010 78	Pan Head Screw	3	
4	39 0992 06	Dowel	2	
5	JA 5410 18	Gear Driven + Shaft Oil Pump	1	

Starter Assembly



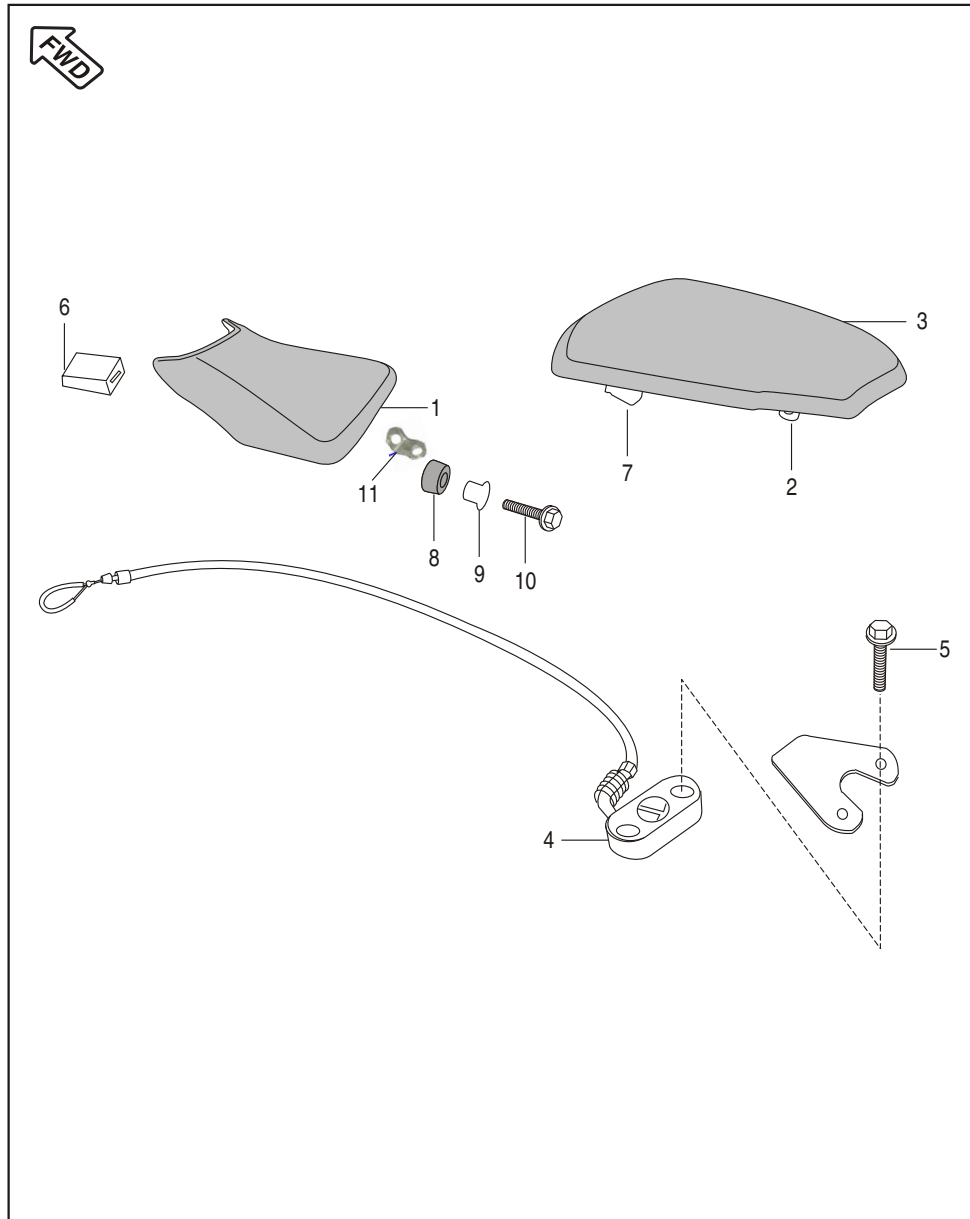
No.	Part No.	Description	Qty.	Remarks
1	JA 6214 14	Body Complete Starter Clutch	1	
2	DH 1017 81	Plate Roller Clutch	1	
3	JA 6214 10	Gear Starter Clutch	1	
4	JA 6214 02	Washer	2	
5	JA 6214 06	Drive Assly	1	
6	36 JW00 14	Starter Clutch Repair Kit	1	Refer Page No. 105
7	JA 3516 00	Motor Assly	1	
8	JA 3516 06	Sealing Ring (Flash)	1	
9	JA 3516 26	Sealing Ring (Lucas- TVS)	1	
10	39 1673 04	Flange Bolt	2	Motor Mounting Old
	JA 5210 19	Flange Bolt	2	Motor Mounting New
11	JA 3516 02	'O' Ring For Spigot (Flash)	1	
	JA 3516 27	'O' Ring For Spigot (Lucas- TVS)	1	
12	JA 3516 08	+ve Brush Holder Assly (Flash)	1	
13	JA 3516 09	-ve Brush Holder Assly (Flash)	1	
14	JA 3516 18	Brush and Earth Plate assly	1	N.I. (Lucas- TVS)
15	JA 3516 24	Brush Spring	1	N.I. (Lucas- TVS)
16	JA 3516 19	Terminal assly.	1	N.I. (Lucas- TVS)

Magneto, CDI & H.T. Coil



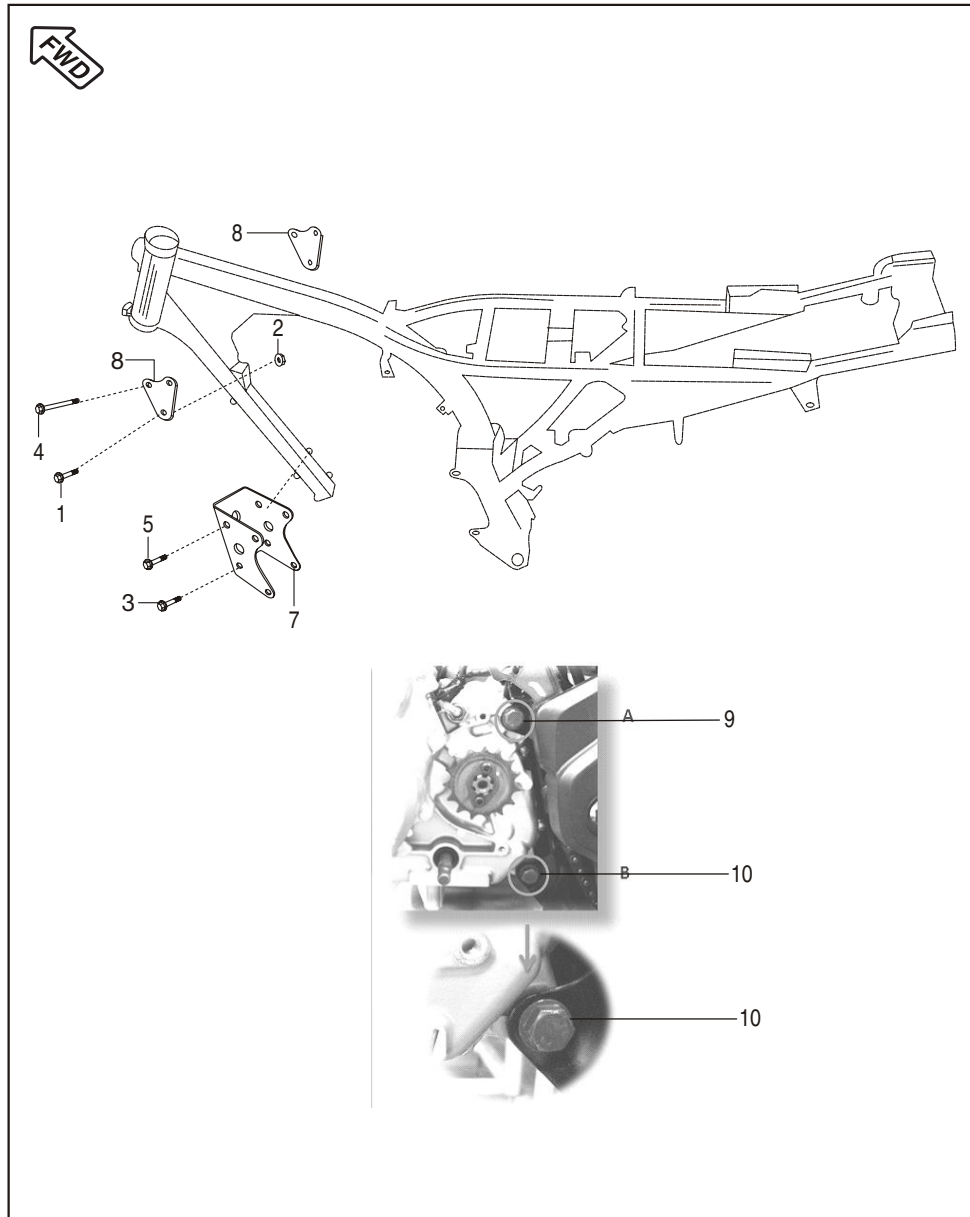
No.	Part No.	Description	Qty.	Remarks
1	JE 3510 02	Rotor Assly (ES)	1	
2	JP 3510 07	Stater Assly Complete	1	
3	39 1674 04	Bolt Flange	2	
4	39 0746 01	Pan Head Screw	3	For lock Plate & Pick Up Coil mtg.
5	JE 3512 03	H. T. Coil LH with Cap	1	
6	JE 3512 04	H T Coil RH with Cap	1	
7	JE 3512 00	C.D.I. Assly	1	
8	DD 1110 18	Spark Plug PRZ9 HC Or	2	
	CF 1110 19	Spark Plug Bosch UR4AC	2	
9	DD 1110 48	Spark Plug Cap LH	2	
	DH 1110 15	Spark Plug Cap RH	1	
10A	DD 1110 11	Grommet Spark Plug Cap LH	1	
10B	JD 3512 05	Grommet Spark - Plug Cap RH	1	
11	DD 1110 12	Grommet for HT Cable LH	1	
11A	DH 1110 13	Grommet for HT Cable RH	1	
12	39 1943 04	Bolt Flange	2	
13	JW 4020 01	DC Regulator with Capacitor	1	
14	JA 5410 28	Lock plate	1	
15	59 0400 14	Bolt Flange (N.I.)	4	For H.T. Coil Mounting

Seat Assembly / Seat Lock



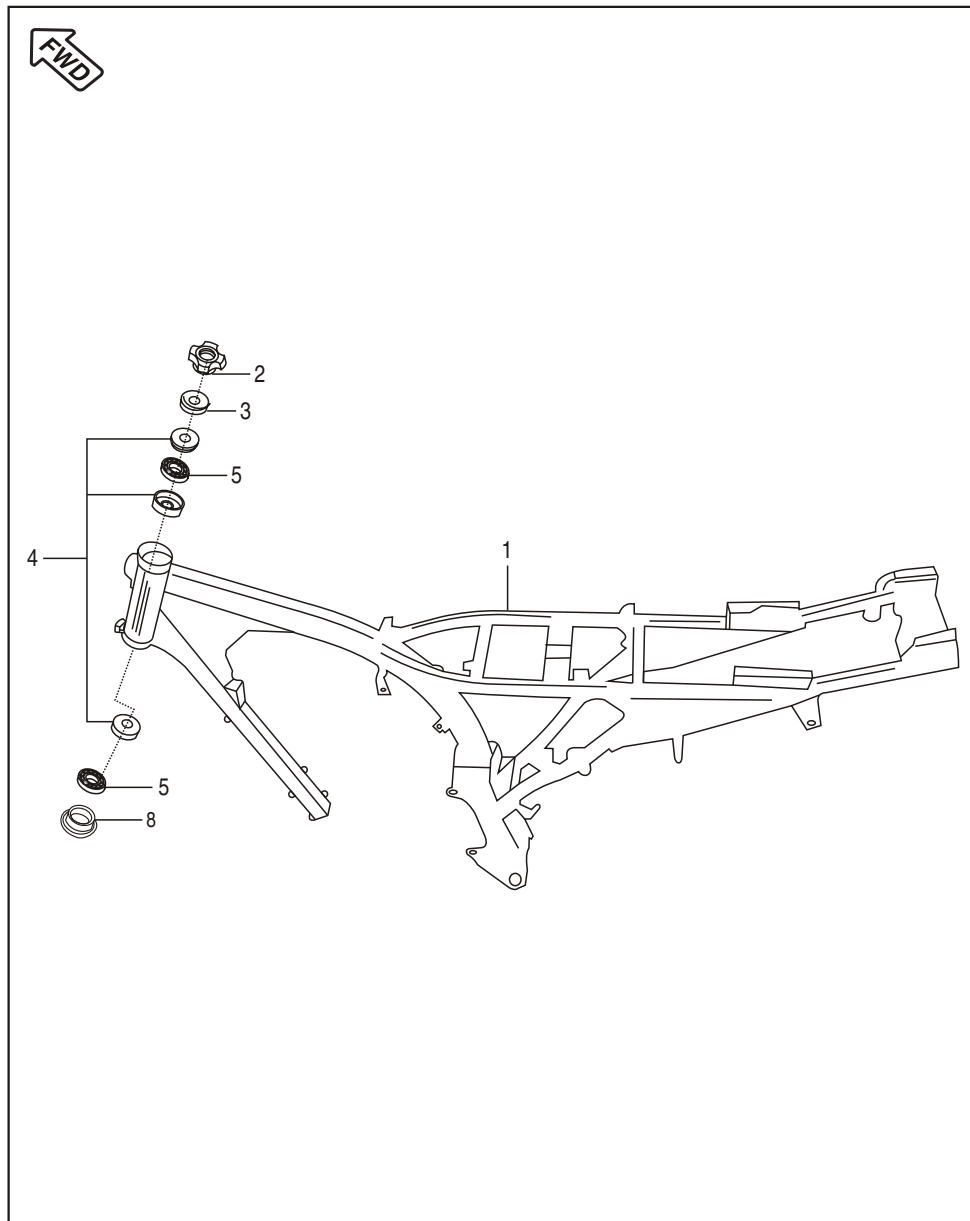
No.	Part No.	Description	Qty.	Remarks
1	JD 1910 12	Seat Assly Complete Front	1	
2	DS 2110 05	Damper	6	
3	JD 1910 03	Seat assly Complete Rear	1	
4	DK 2110 08	Lock Assly Seat Rear	1	
5	39 1902 04	Bolt Flange	2	
6	DK 2110 07	Damper Front	1	
7	JD 1910 06	Damper Round	2	
8	JD 1910 07	Grommet Rider Seat Mounting	1	
	DJ 1810 64	Grommet Rider Seat Mounting	1	From Chassis No. UCB61332
9	JD 1910 08	Collar Rider Seat Mounting	1	
	DJ 1810 29	Collar Rider Seat Mounting	1	From Chassis No. UCB61332
10	DJ 1810 77	Special Bolt M-6	1	
10A	KA DA06 18	Bolt	1	From Chassis No. UCB61332
11	JD 1138 07	Bracket Rider Seat Mtg	1	From Chassis No. UCB61332

Engine Mountings



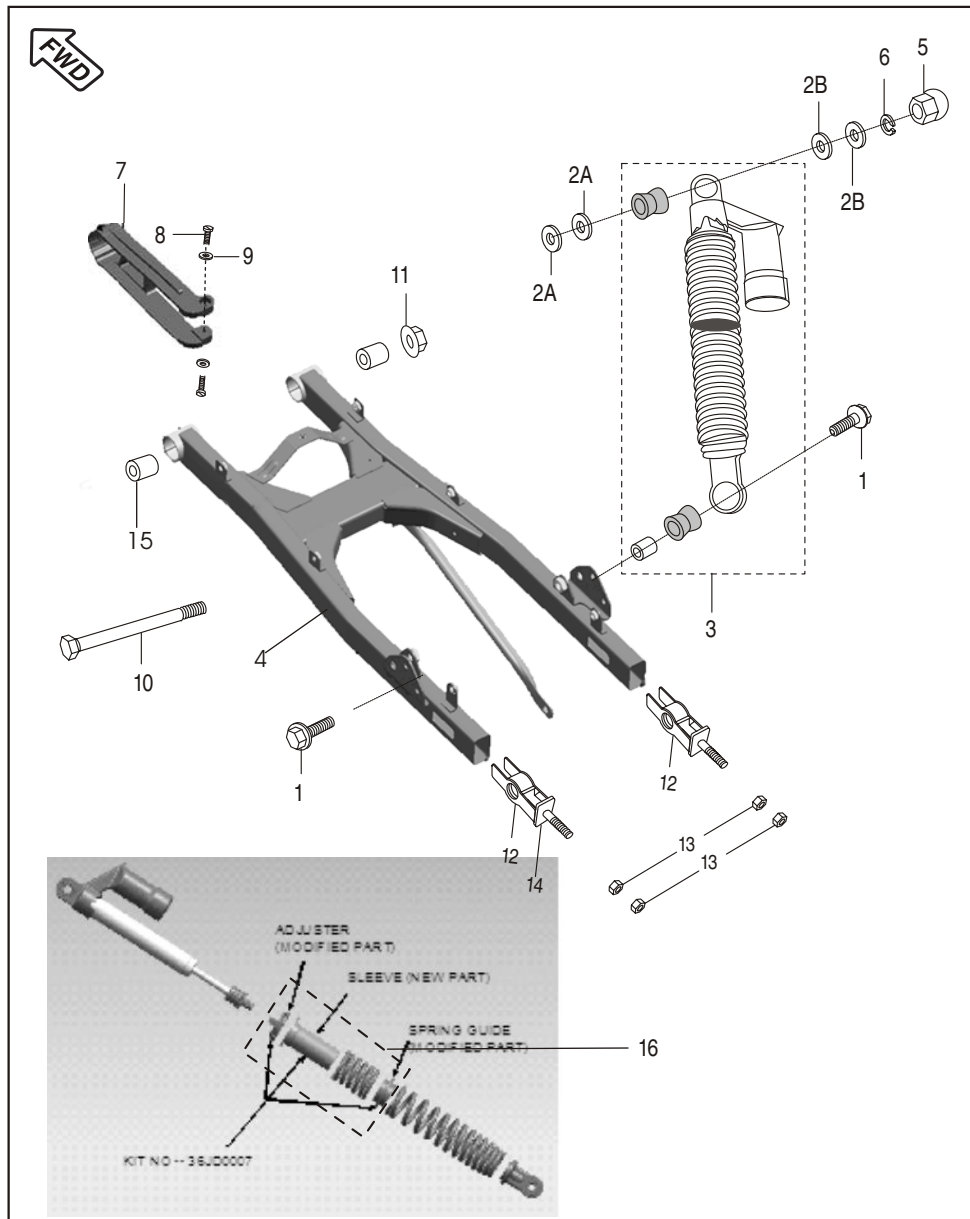
No.	Part No.	Description	Qty.	Remarks
1	JA 1134 03	Flange Bolt M10×10	2	
2	39 1970 15	Nut Flanged	7	
3	39 2312 04	Bolt Flanged	3	
4	39 2498 04	Bolt Flanged	1	
5	JA 1134 04	Bolt Flanged	3	
6	39 2723 15	Flanged Nut	2	
7	JA 1134 02	Bracket Complete Engine Front	1	
8	JD 1134 00	Engine Mounting Bracket Rear Top	2	
9	JA 1134 03	Engine Mtg Rear Bolt Top	1	
10	39 2702 04	Bolt Flange	1	

Frame and Frame Fittings



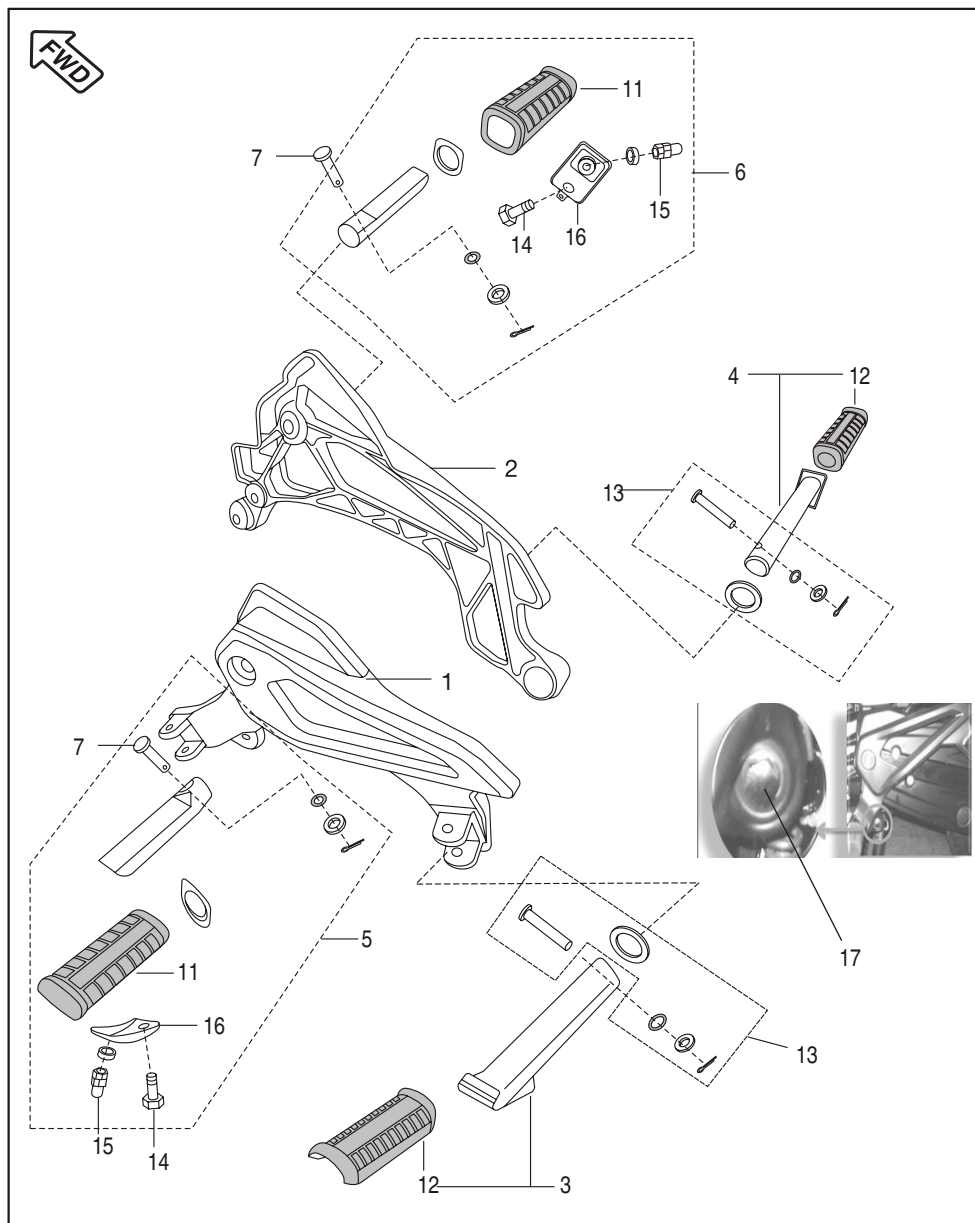
No.	Part No.	Description	Qty.	Remarks
1	JD 1110 54	Frame Assly. Comp.	1	
2	30 1810 11	Nut Fork	1	
3	DH 1810 14	Cup - Steering	1	
4	36 Ds18 02	Bearing Cone Kit	1	Refer Page No.105
5	36 3140 02	Ball Steel Cage Bearing	2	
6	DP 1710 06	Silent Bush	2	
7	JB 1110 33	Cap Rear Pipe	2	N.I.
8	30 1810 09	Bearing Cone	1	

Swing Arm / Rear Shock Absorber



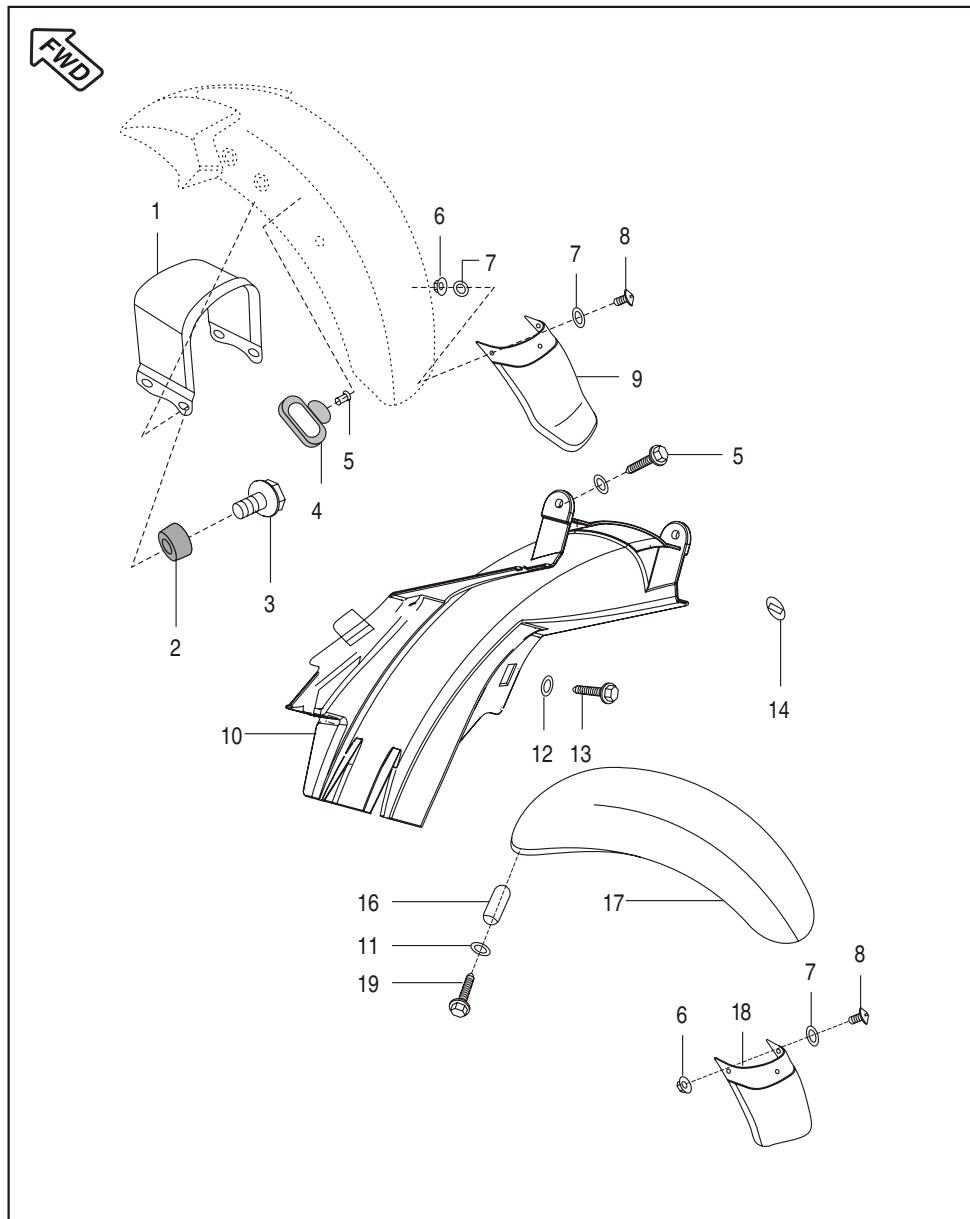
No.	Part No.	Description	Qty.	Remarks
1	JB 1220 16	Hex. Bolt/ Flange - M10	2	For RSA
2A	JB 1220 11	Plain washer	4	For RSA
2B	JB 1220 10	Plain Washer	4	
3	JD 1220 03	Rear Shock Absorber	2	
4	JD 1220 08	Swing Arm Assly. Complete	1	New
5	JB 1220 09	Domed Cap Nut	2	
6	39 2726 12	Spring Washer	2	
7	JD 1220 13	Chain Slider	1	
8	39 0553 02	Screw	2	For Chain Sider
9	39 0454 11	Plain Washer	2	For Chain Sider
10	JD 1220 02	Shaft Swing Arm	1	
11	JB 1310 19	U Nut M-12	1	
12	DJ 1510 37	Adjuster Chain LH/RH	2	
13	39 0292 15	Hexagon Nut	4	
14	DJ 1510 47	Plate Chain Adjuster	2	
15	DP 1710 06	Silent Bush	2	
16	36 JD00 07	Kit Adj RSA	2	

Pillion Foot Rest / Holder



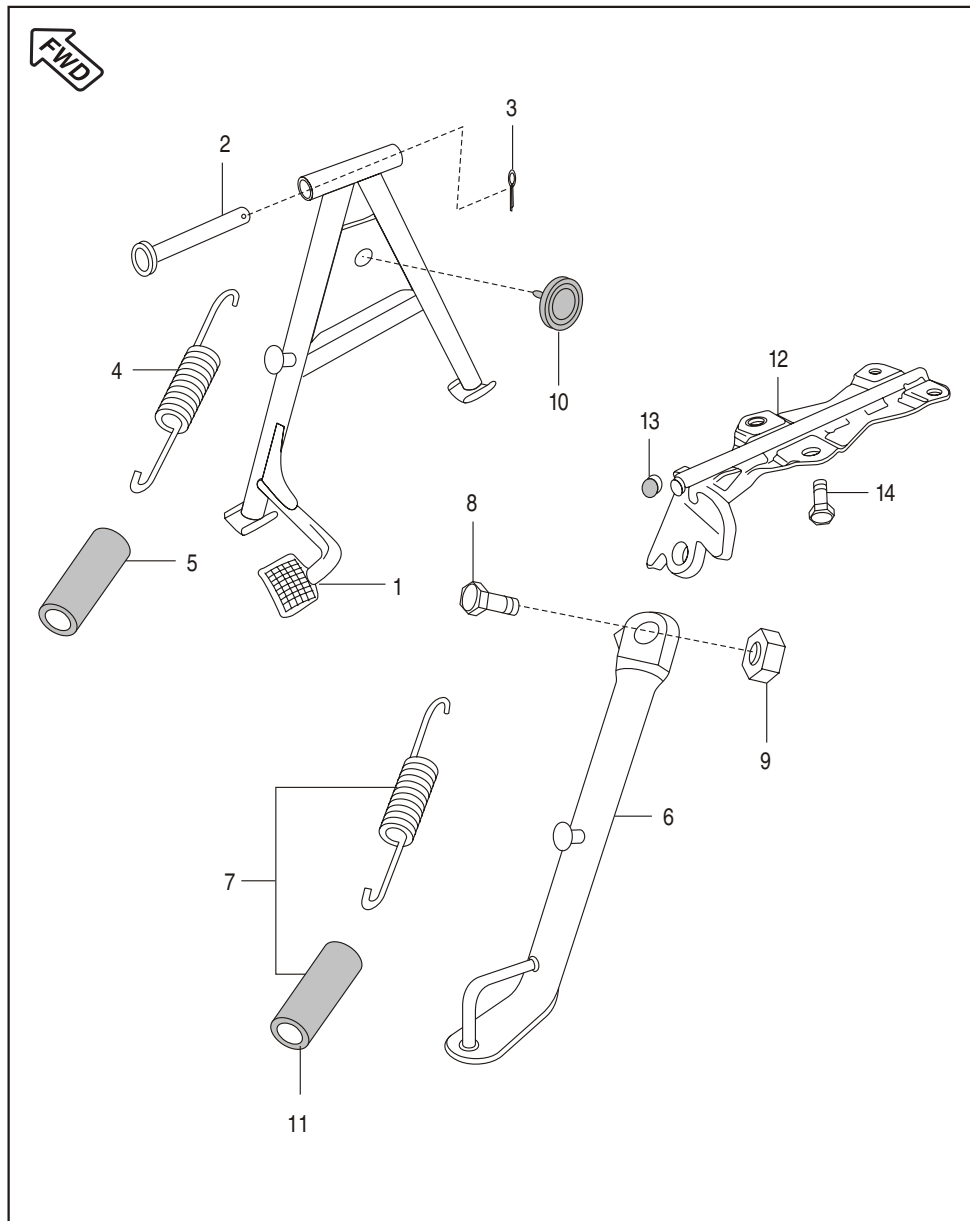
No.	Part No.	Description	Qty.	Remarks
(For Aluminum Footrest - Upto 16.01.2010)				
1	JD 1130 02	Holder LH Step	1	
2	JD 1130 03	Holder RH Step	1	
3	JD 1130 13	Pillion Footrest LH	1	
4	JD 1130 15	Pillion Footrest RH	1	
5	JD 1130 16	Rider Footrest LH	1	
6	JD 1130 17	Rider Footrest RH	1	
7	JD 1130 19	Pin Footrest	4	
8	JD 1130 24	Lock Plate Footrest	4	N.I.
9	JD 1130 14	Ball & Spring Assembly Footrest	4	N.I.
10	JD 1130 25	Damper Foot Rest	4	N.I.
(For Iron Footrest - From 17.01.2010)				
1	JD 1130 26	Holder LH Step	1	
	JD 1130 35	Holder LH Step (Moonlight Silver)	1	
2	JD 1130 27	Holder RH Step	1	
	JD 1130 36	Holder RH Step (Moonlight Silver)	1	
3	DJ 1611 28	Pillion Footrest LH	1	
4	DJ 1611 29	Pillion Footrest RH	1	
5	JD 1130 31	Rider Footrest LH	1	
6	JD 1130 32	Rider Footrest RH	1	
7	DH 1611 57	Pin Footrest	4	
11	DH 1610 53	Rubber - Main Step	2	
12	DJ 1611 22	Rubber - Pillion Step	2	
13	36 Dk00 13	Hardware Kit - Pillion Step	2	
14	22 1504 51	Screw	2	
15	39 1282 15	Nut-Domed Cap	2	
16	DH 1610 56	Plate Lower Main Step	2	
17	39 2582 04	Bolt Step Mtg Lower	2	

Mudguard - Front & Rear



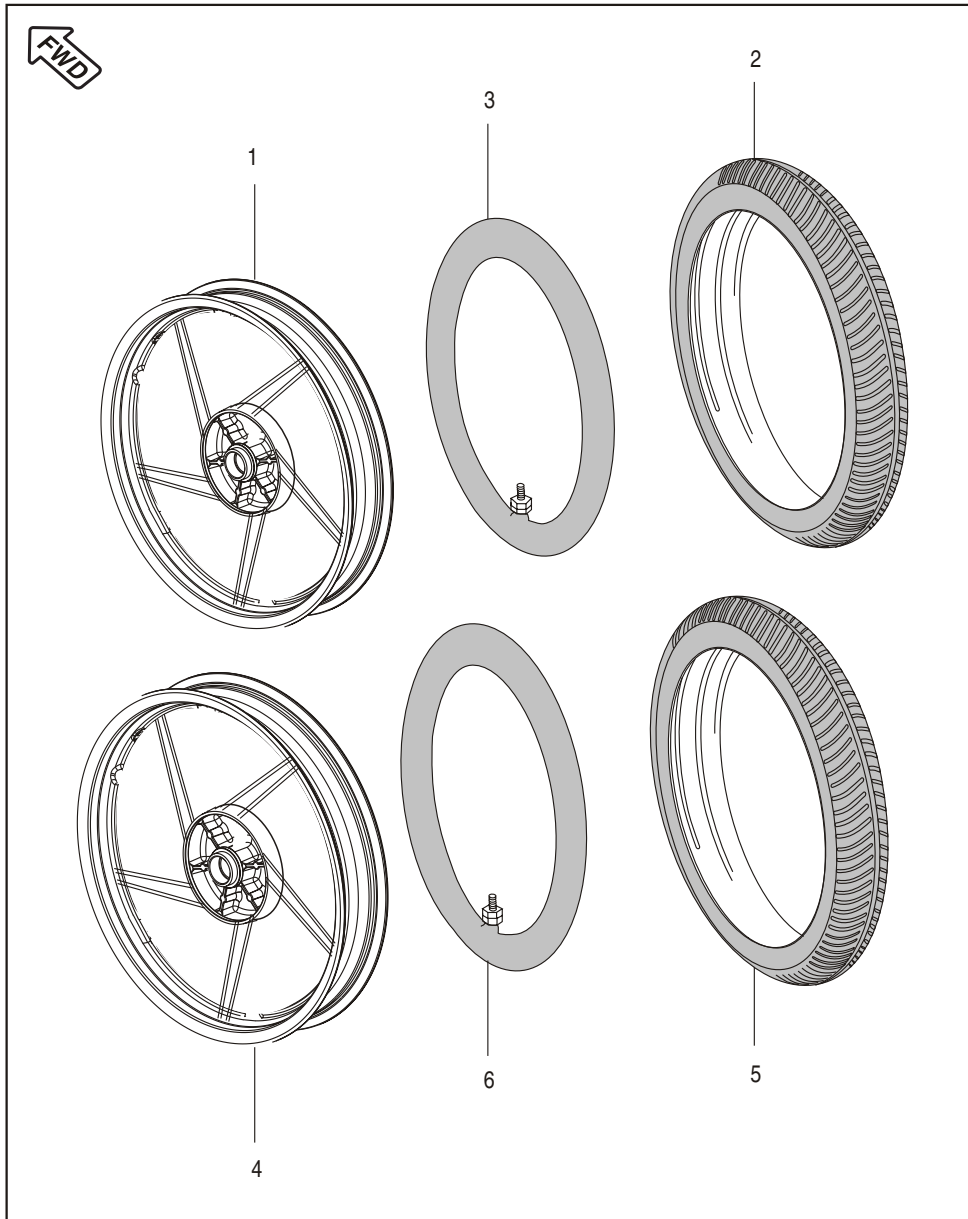
No.	Part No.	Description	Qty.	Remarks
1	JD 1814 01	Brace Fender	1	
2	DJ 1610 91	Grommet Front Fender	4	
3	DG 1810 08	Socket Bolt	4	Fender Front Mounting
4	DS 1611 25	Cable Guide	1	
5	DJ 1610 69	Nail for Cable Guide	1	
6	39 0326 15	Nyloc Nut	6	For Flap Front Fender & Hugger
7	39 0242 11	Washer	6	For Front Rear Fender Mounting
8	39 2420 01	Screw	6	
9	JD 1814 02	Flap Front fender	1	
10	JD 1810 03	Fender Rear Front	1	
11	39 0211 11	Washer Plain	7	Fender Mtg. & Hugger
12	39 1943 04	Flange Bolt	4	Fender Mounting
13	39 1912 04	Bolt M-6	1	
14	DL 1610 15	Grommet	2	For Seat Cowl
15	JD 1318 09	Hose Clamp	1	N.I.
16	JD 1814 05	Sleeve Hugger Mounting	2	
17	JD 1814 04	Hugger	1	
18	JD 1814 09	Mud Flap Fender Rear	1	
19	39 2060 04	Bolt M-6 Hugger Mounting	2	
20	JD 1810 00	Flap LH	1	N.I.
21	JD 1810 01	Flap RH	1	N.I.
22	JD 1810 02	Foam Strip	1	N.I.

Stand Assembly



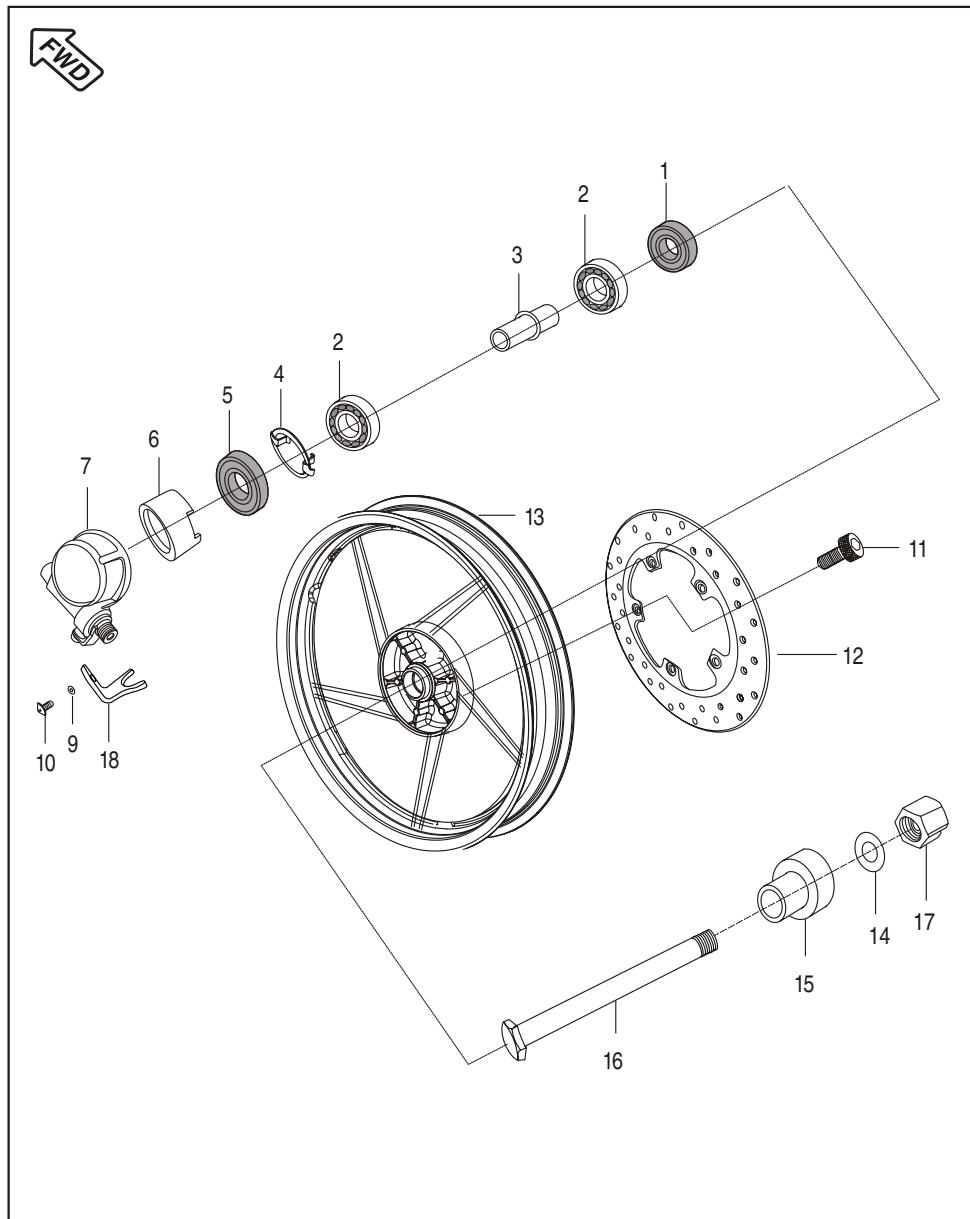
No.	Part No.	Description	Qty.	Remarks
1	JW 1132 00	Center Stand	1	
2	JA 1132 01	Shaft Stand	1	
3	39 0797 08	Pin Cotter	1	
4	DH 1612 39	Spring Main Stand	1	
5	DH 1611 45	Cover Spring Main Stand	1	
6	JD 1132 00	Stand Side	1	
7	DH 1612 40	Spring Side Stand with Cover	1	
8	DF 1611 02	Bolt	1	
9	39 0422 15	Nut	1	
10	DG 1611 24	Damper Main Stand	1	
11	DH 1611 46	Cover Side Stand Spring	1	
12	JD 1132 01	Side Stand Mounting Bracket	1	
13	DH 1613 09	Plug Side Stand Mounting Bolt	2	
14	JA 1130 11	Flange Bolt M-8	4	

Tube / Tyre / Rim



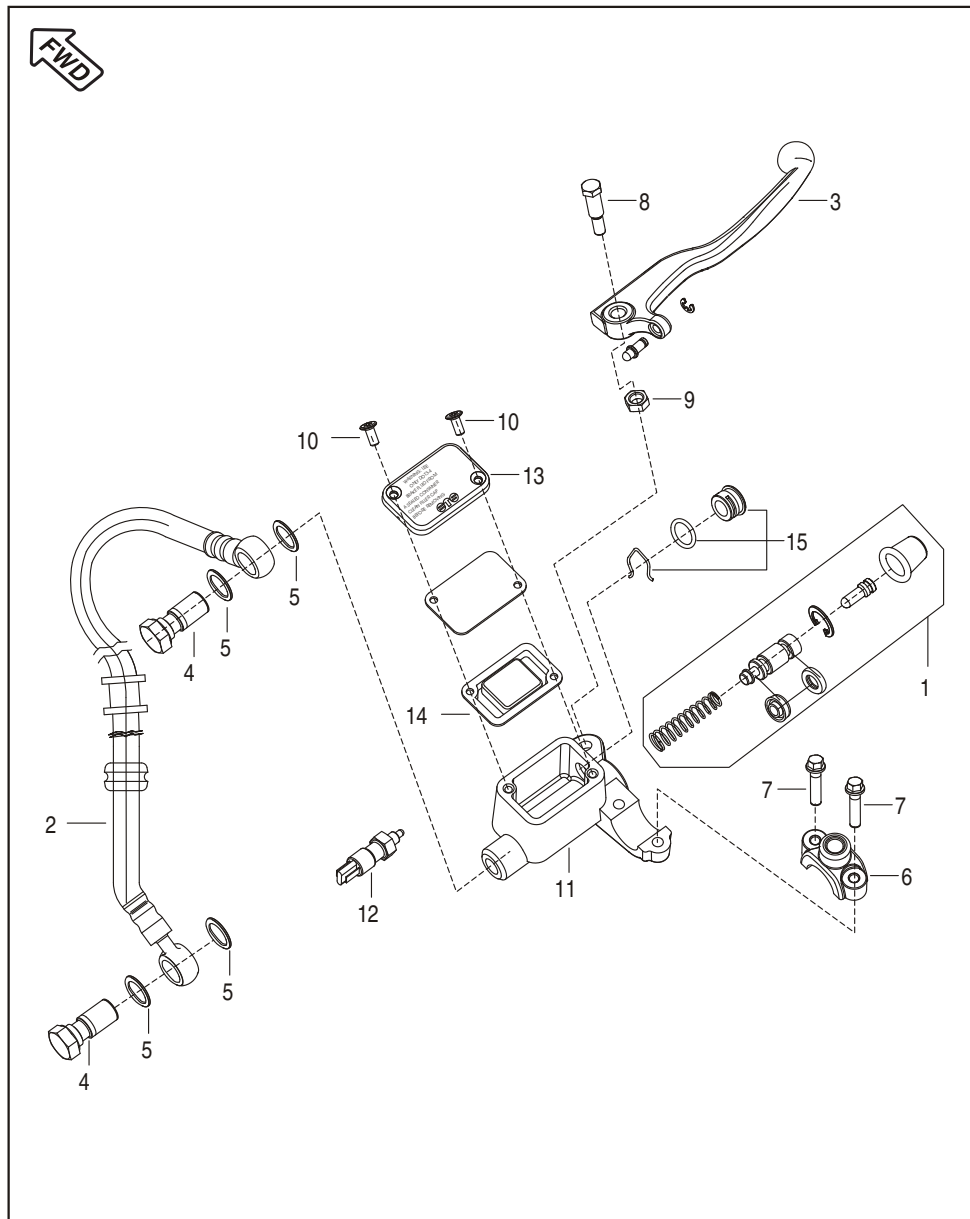
No.	Part No.	Description	Qty.	Remarks
1	JD 1310 00	Wheel Rim Front 1.4 x 17 Di	1	} Proprietary Items Not Serviceable
2	DS 1510 48	Tyre Front	1	
3	DS 1510 49	Tube Front	1	
4	JW 1312 05	Wheel Rim Rear	1	
5	DS 1510 31	Tyre Rear	1	} Proprietary Items Not Serviceable
6	DS 1510 29	Tube Rear	1	

Front Hub



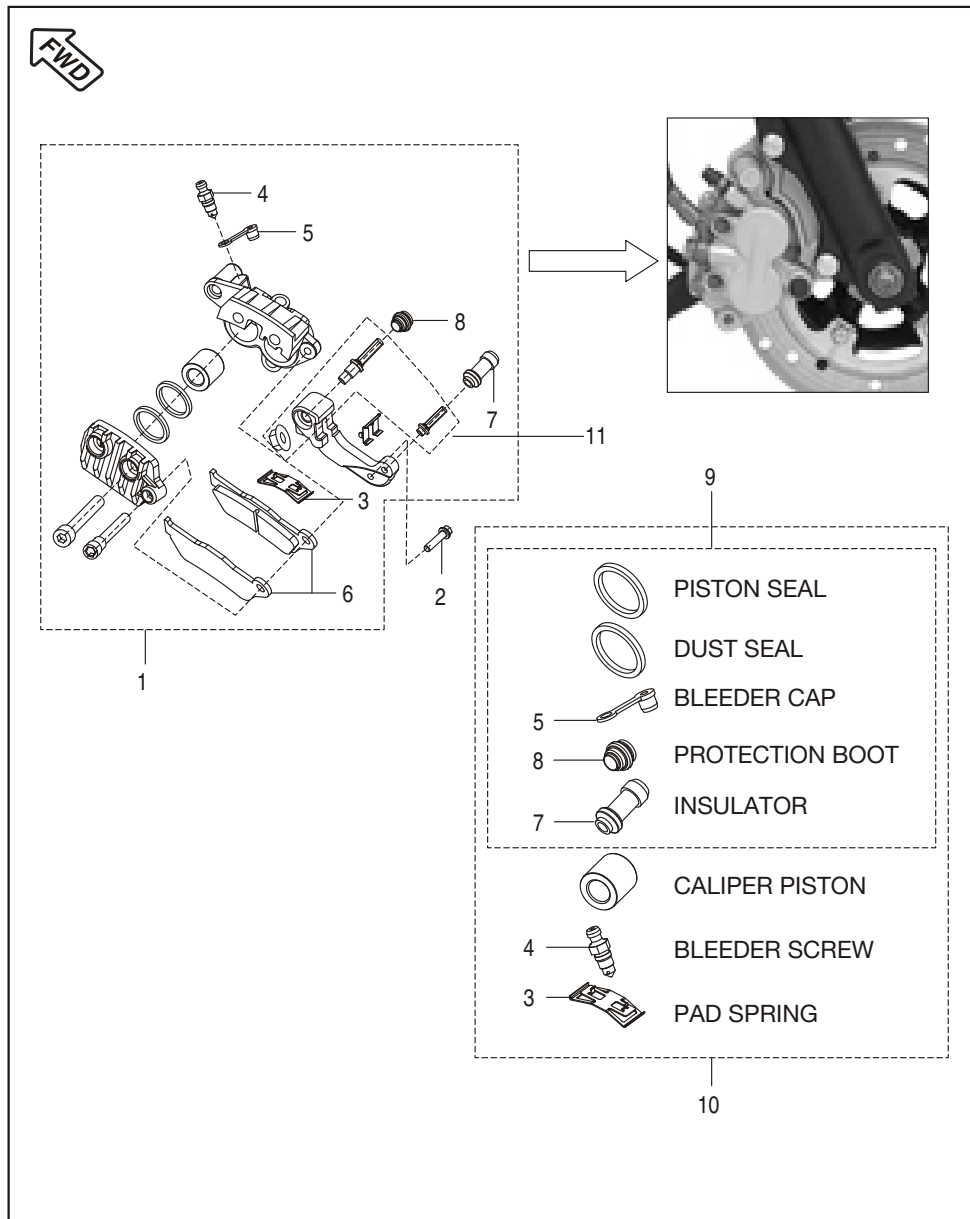
No.	Part No.	Description	Qty.	Remarks
1	30 1510 33	Seal Oil	1	
2	39 2688 20	Bearing Ball	2	
3	DE 1510 06	Spacer Assly.	1	
4	DE 1510 12	Plate Drive	1	
5	DE 1510 08	Seal Oil	1	
6	DJ 1510 94	Rotor Speedo (Disc)	1	
7	JN 1316 03	Case Meter Assly	1	
8	59 2100 19	'O' Ring	1	For Speed Sensor
9	39 0900 12	Washer Spring	1	
10	39 0840 01	Screw - M4	1	For Bushing Speedo Gear
11	JD 1318 11	Hex. Soc. Head Bolt	5	
12	JD 1318 10	Disc (240 mm Dia)	1	
13	JD 1310 00	Wheel Rim	1	
14	JB 1310 18	Plain Washer	1	
15	JN 1310 03	Spacer	1	
16	JB 1310 17	Axle	1	
17	JB 1310 19	'U' Nut	1	
18	30 1511 18	Stopper for Bushing	1	

Front Master Cylinder



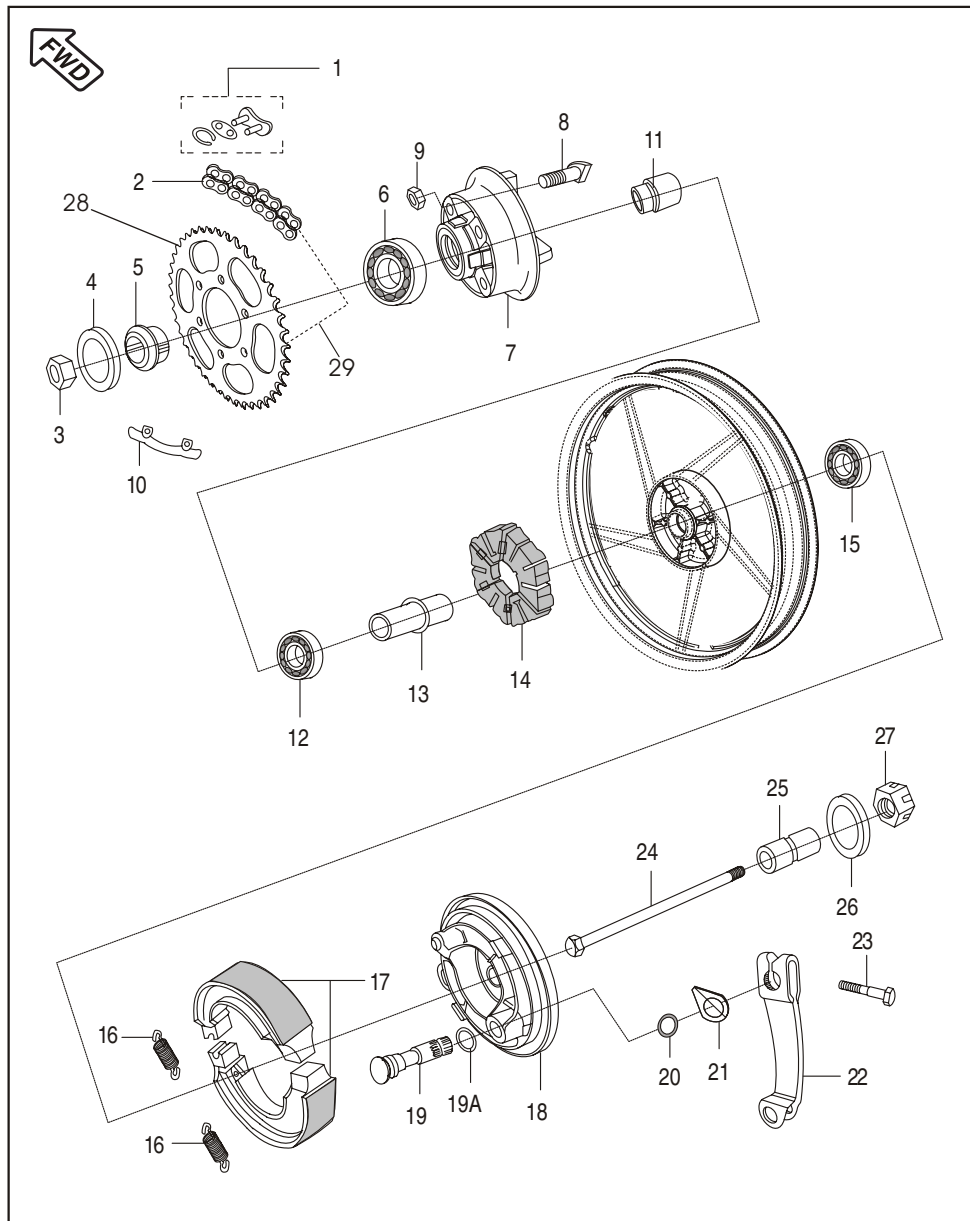
No.	Part No.	Description	Qty.	Remarks
1	DJ 1910 23	Major Kit - Master Cylinder	1	
2	JD 1318 08	Hose Brake Front	1	
3	DJ 1910 57	Lever Grip RH (KBX)	1	
	DJ 1910 59	Lever Grip RH (ETS)	1	
4	DE 1910 11	Banjo Bolt (KBX)	2	
	DJ 1910 25	Banjo Bolt (ETS)	2	
5	DE 1910 10	Washer Copper (KBX)	4	
	DJ 1910 26	Washer Copper (ETS)	4	
6	DE 1910 33	Clamp Holder RH	1	
7	39 2121 04	Bolt	2	
8	DJ 1910 29	Bolt Front Brake Lever	1	
9	DJ 1910 30	Nut Flanged	1	
10	DJ 1910 31	Screw	2	
11	DJ 1910 56	Cylinder Master with Lever (KBX)	1	
	DJ 1910 58	Cylinder Master with Lever (ETS)	1	
12	DJ 2011 09	Front Brake Switch	1	
13	DE 1910 29	Reservoir Cover	1	
14	DE 1910 28	Diaphragm	1	
15	36 DH19 02	'O' Ring Master Cylinder Kit	1	
16	DJ 2011 08	Cable Assly For Switch	1	N.I.

Front Disc Brake



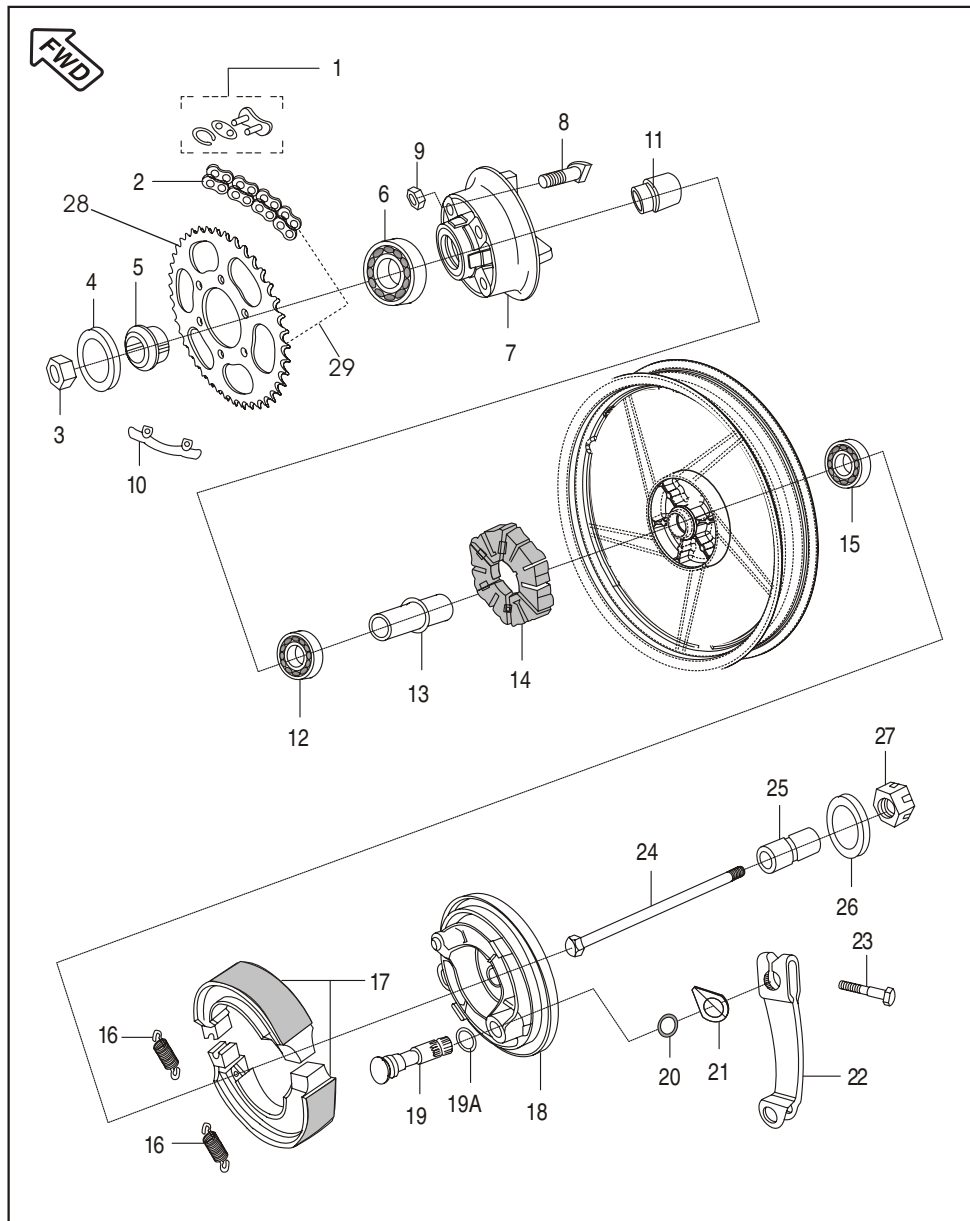
No.	Part No.	Description	Qty.	Remarks
1	JN 1318 06	Caliper Assly. Front (KBX)	1	
	JD 1318 13	Caliper Assly. Front (ETS)	1	
2	59 0400 25	Bolt Flanged Caliper Mounting	2	
3	DE 1510 48	Spring Pad	1	
4	DE 1510 46	Bleeder Screw	1	
5	DE 1510 47	Bleeder Cap	1	
6	JW 1318 07	Disc Pad Set	1	
7	DJ 1510 72	Protection Boot (8 mm Dia)	1	
8	DJ 1510 73	Protection Boot (9 mm Dia)	1	
9	DJ 1510 74	Minor Kit - Caliper	1	
10	DJ 1510 75	Major Kit - Caliper	1	
11	JW 1318 10	Anchor Pin Kit	1	

Rear Hub



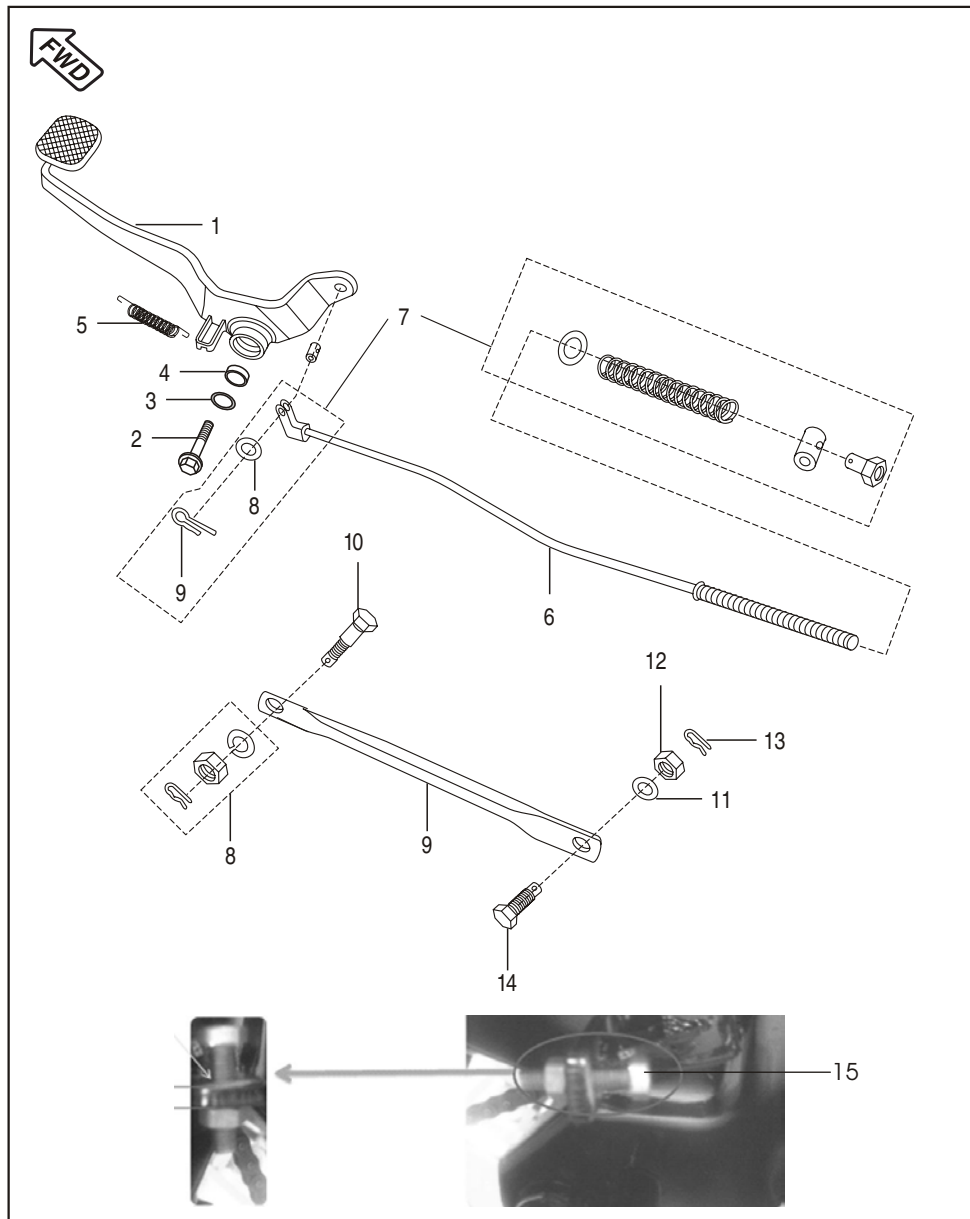
No.	Part No.	Description	Qty.	Remarks
1	JD 1410 03	Chain Link Lock Set	1	
2	JD 1410 01	Chain (130 Link 'O' ring)	1	
3	39 0801 15	Nut	1	
4	LD B000 01	Plain washer	2	
5	JD 1312 10	Collar Assly.	1	
6	39 2240 20	Bearing ball	1	
7	JN 1312 03	Coupling 4 Rubber	1	
8	DS 1510 73	Stud M-10	4	
9	39 0794 15	Hex. lock nut	4	
10	DS 1510 74	Washer	2	
11	JD 1312 12	Sleeve	1	
12	39 2686 20	Bearing Ball	1	
13	30 1510 75	Collar Bearing	1	
14	JG 1312 19	Coupling Rubber	1	
15	39 2687 20	Bearing Ball	1	
16	30 1510 69	Spring	2	
17	30 1511 05	Shoe Brake Assly	2	
	JN 1318 12	Shoe Brake Assly (Non Asbestos)	2	
18	DJ 1510 92	Panel Rear Brake	1	
19	30 1510 11	Cam Brake	1	
19A	39 0722 11	Plain Washer	1	
20	30 1510 38	Ring 'O'	1	

Rear Hub



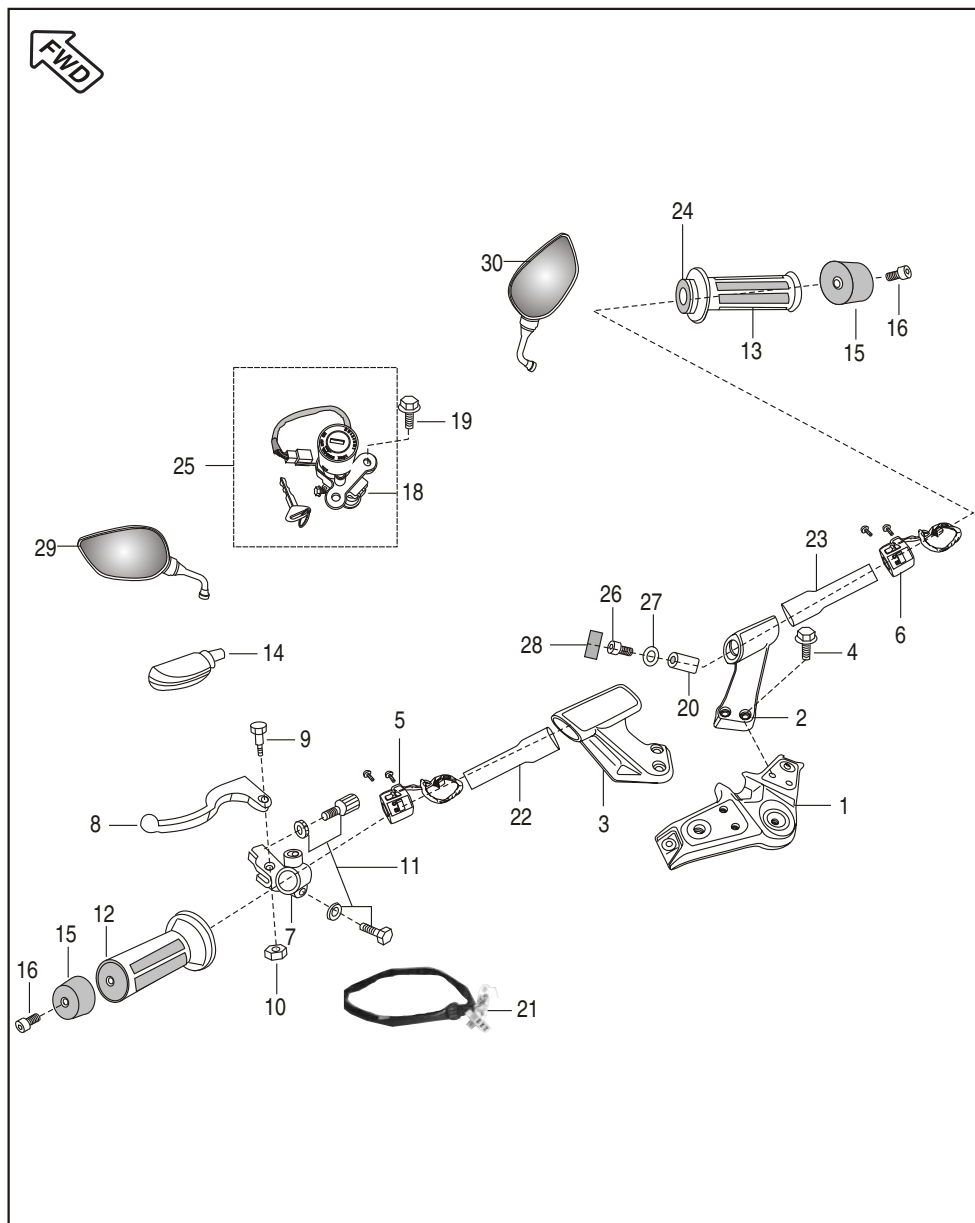
No.	Part No.	Description	Qty.	Remarks
21	DD 1510 09	Indicator	1	
22	JD 1316 01	Lever Brake	1	
23	39 0775 04	Bolt	1	
24	JD 1312 13	Rear Axle	1	
25	DX 1510 22	Collar	1	
26	39 2567 11	Plain washer	1	
27	DJ 1710 33	'U' nut	1	
28	DJ 1510 86	Sprocket 43 T - 4 Rubber	1	
29	36 JE00 07	Kit Chain Sprocket	1	Ref. Page No.109
	36 JE 0014	Kit Chain Sprocket 'O' Ring Type	1	Ref. Page No.110

Rear Brake Pedal



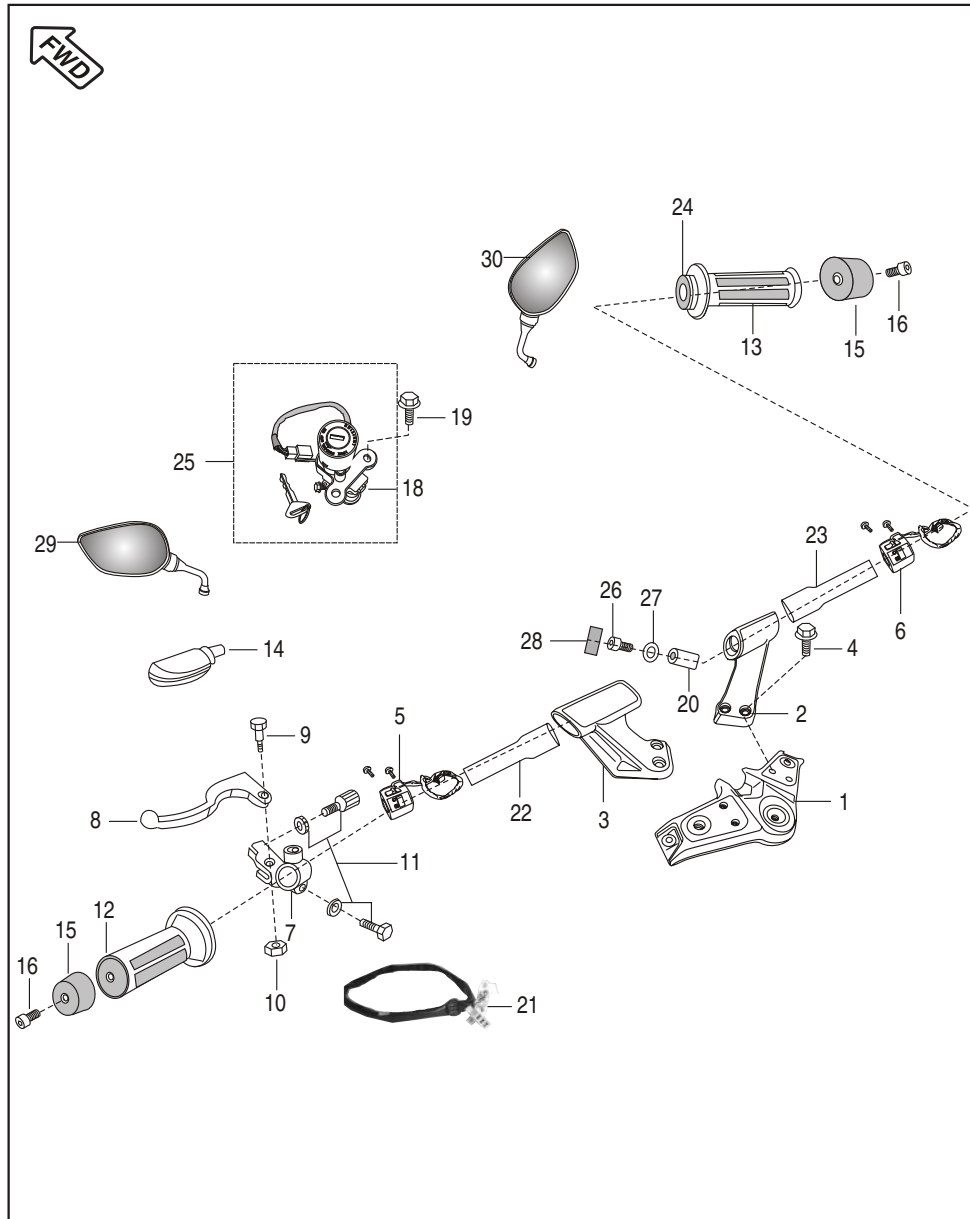
No.	Part No.	Description	Qty.	Remarks
1	JD 1610 01	Brake Pedal	1	
2	JC 1910 09	Hex. Bolt	1	
3	JK 1610 00	Washer	1	
4	39 1998 19	Oil Seal	2	
5	JD 1610 02	Brake Pedal Spring	1	
6	JD 1610 03	Rod Brake	1	
7	36 DK00 17	Brake Adjuster Kit	1	
8	36 DK00 18	Torque Rod Hardware Kit	1	
9	JD 1220 04	Rod Torque	1	
10	DH 1510 29	Step Bolt	1	
11	39 0789 12	Spring Washer	1	
12	39 0694 15	Nut Hex. Lock	1	
13	39 0807 08	Pin Snap	1	
14	30 1510 96	Hex. Bolt	1	
15	LA A000 04	Bolt Brake Pedal Adj	1	

Handle Bar Assly



No.	Part No.	Description	Qty.	Remarks
1	JD 1510 15	Upper Bracket	1	
	JD 1510 54	Upper Bracket (Black)	1	from Ch. no. UCJ80101
2	JD 1510 17	Holder Handle RH	1	
	JD 1510 47	Holder Handle RH	1	* wef. 14.06.2011
	JD 1510 52	Holder Handle RH (Black)	1	from Ch. no. UCJ80101
3	JD 1510 16	Holder Handle LH	1	
	JD 1510 43	Holder Handle LH	1	* wef. 14.06.2011
	JD 1510 51	Holder Handle LH (Black)	1	from Ch. no. UCJ80101
4	DG 1810 08	Socket Bolt	4	
5	JF 4014 00	Control Switch LH	1	
6	JF 4014 01	Control Switch RH	1	
7	DJ 1910 54	Holder LH	1	
8	DJ 1910 55	Lever LH	1	
	DJ 1910 83	Lever LH	1	from Ch. No. UCJ80101
9	DL 1910 14	Stud Lever Handle	1	
10	30 1910 17	Self Locking Nut	1	
11	DD 1911 47	Adjusting Screw	1	
12	DH 1910 07	Grip LH	1	
13	DH 1910 08	Grip assly. RH	1	
14	DS 1910 52	Boot for lever LH	1	
15	DH 1810 22	Handle bar weight	2	
16	39 2427 04	Hex. Soc. Hd. Cap Screw	2	
17	DS 1910 52	Lever Boot for Clutch Switch	1	N.I.
18	JB 4014 02	Switch Assly. Ignition	1	
19	39 1943 04	Flange Bolt	2	
20	DK 1810 31	Bush Silent Handle Bar Tube	2	

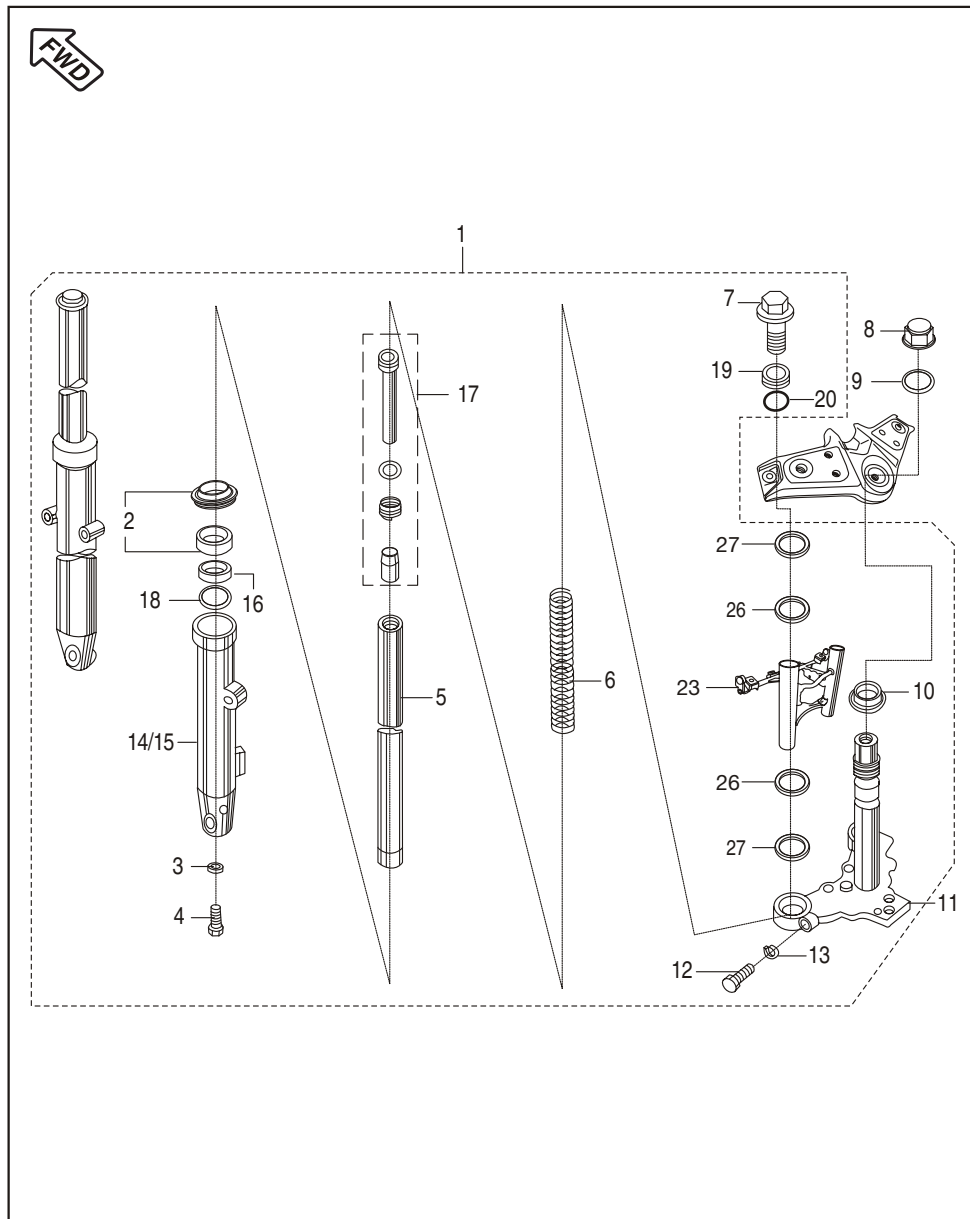
Handle Bar Assly



No.	Part No.	Description	Qty.	Remarks
21	DJ 2011 95	Clutch Switch	1	
	DJ 2012 46	Clutch Switch (Transil Diode)	1	form Ch. No.UCJ80101
22	JD 1510 34	Handle bar tube assly. LH	1	
	JD 1510 45	Handle bar tube assly. LH	1	* wef. 14.06.2011
23	JD 1510 35	Handle bar tube assly. RH	1	
	JD 1510 48	Handle bar tube assly. RH	1	* wef. 14.06.2011
24	DH 1910 17	Pipe throttle	1	N.I.
25	JW 2326 01	Lock set 4 in 1	1	
26	DK 1810 58	Bolt	2	
	LA C000 20	Bolt	2	* wef. 14.06.2011
27	39 1180 11	Washer	2	
28	JD 1510 32	Rubber Plug	2	
29	JD 2316 00	Mirror Assly. LH	1	
30	JD 2316 01	Mirror Assly. RH	1	

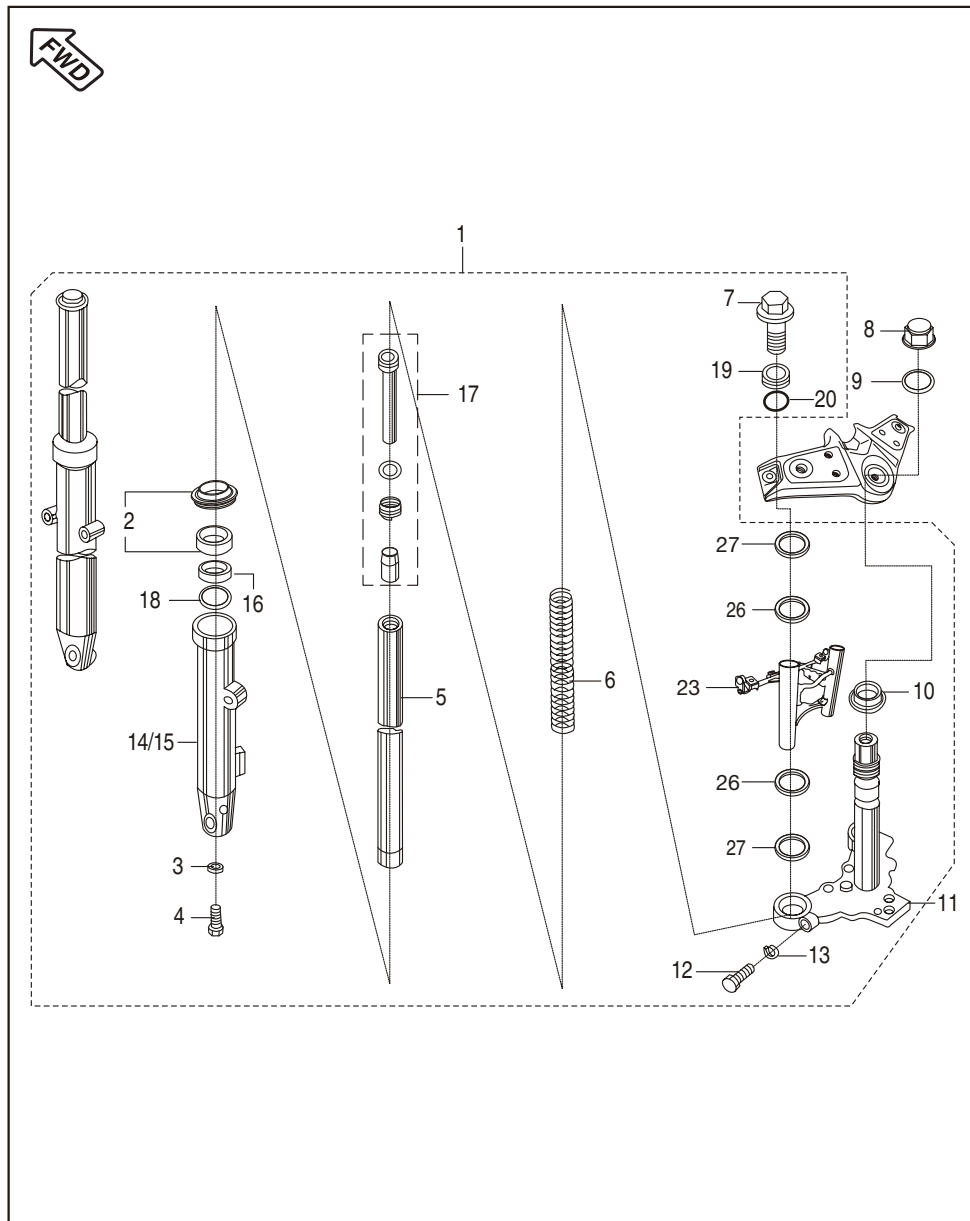
Note - * The Bolt (Sr. no. 26) Shank length increased w.e.f. 14.06.2011
The new Bolt, Holder Handle, Handle bar tube Assly are not individually interchangeable with the old one.

Front Fork



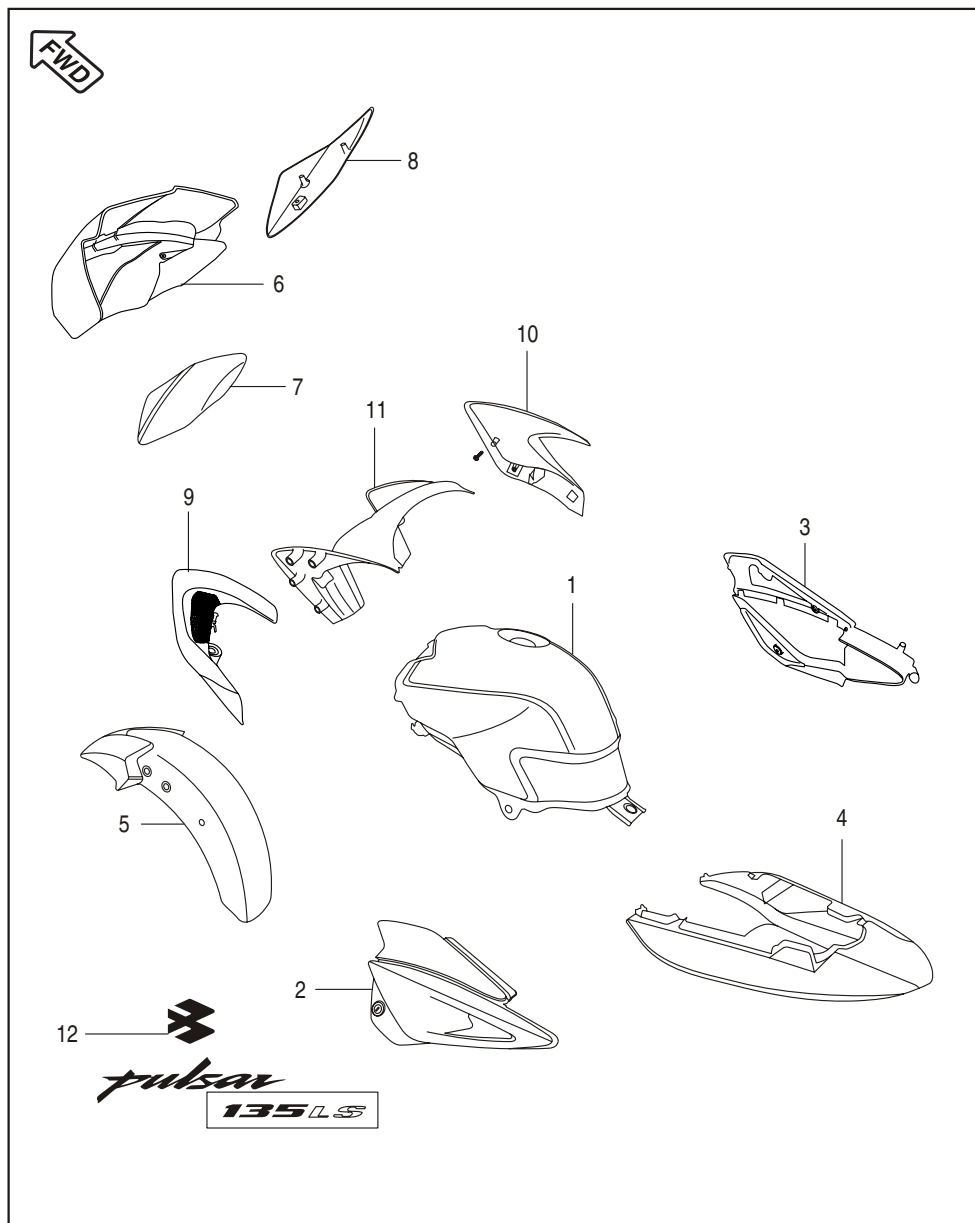
No.	Part No.	Description	Qty.	Remarks
1	JD 1510 00	Fork Front	1	
2	36 DZ00 20	Front Fork Seal Kit	1	
3	30 1810 26	Gasket	2	
4	30 1810 25	Bolt	2	
5	JD 1510 26	Fork Inner Pipe	2	
6	DJ 1811 04	Spring Front Fork	2	
7	59 0400 07	Bolt with Washer M10x29L (upper bkt.)	2	Hex Head Bolts With Washer
8	DS 1810 15	Cap Nut Fork	1	
9	DS 1810 16	Plain Washer	1	For Cap Nut
10	36 DS18 02	Bearing Cone Kit	1	
11	JD 1510 29	Under Bracket Fork	1	
12	39 1181 01	Bolt	2	
13	DM 1810 10	Washer	2	
14	JD 1510 03	Outer Tube LH	1	with Guide Bush
15	JD 1510 04	Outer Tube RH	1	
16	JK 1210 07	Anti Friction Bush	2	
17	JD 1210 02	Pipe Seat with Piston Ring	2	
18	JK 1210 09	Washer Anti Friction Bush	2	
19	JD 1510 28	Bolt Fork	2	
20	30 1810 29	'O' Ring	2	

Front Fork



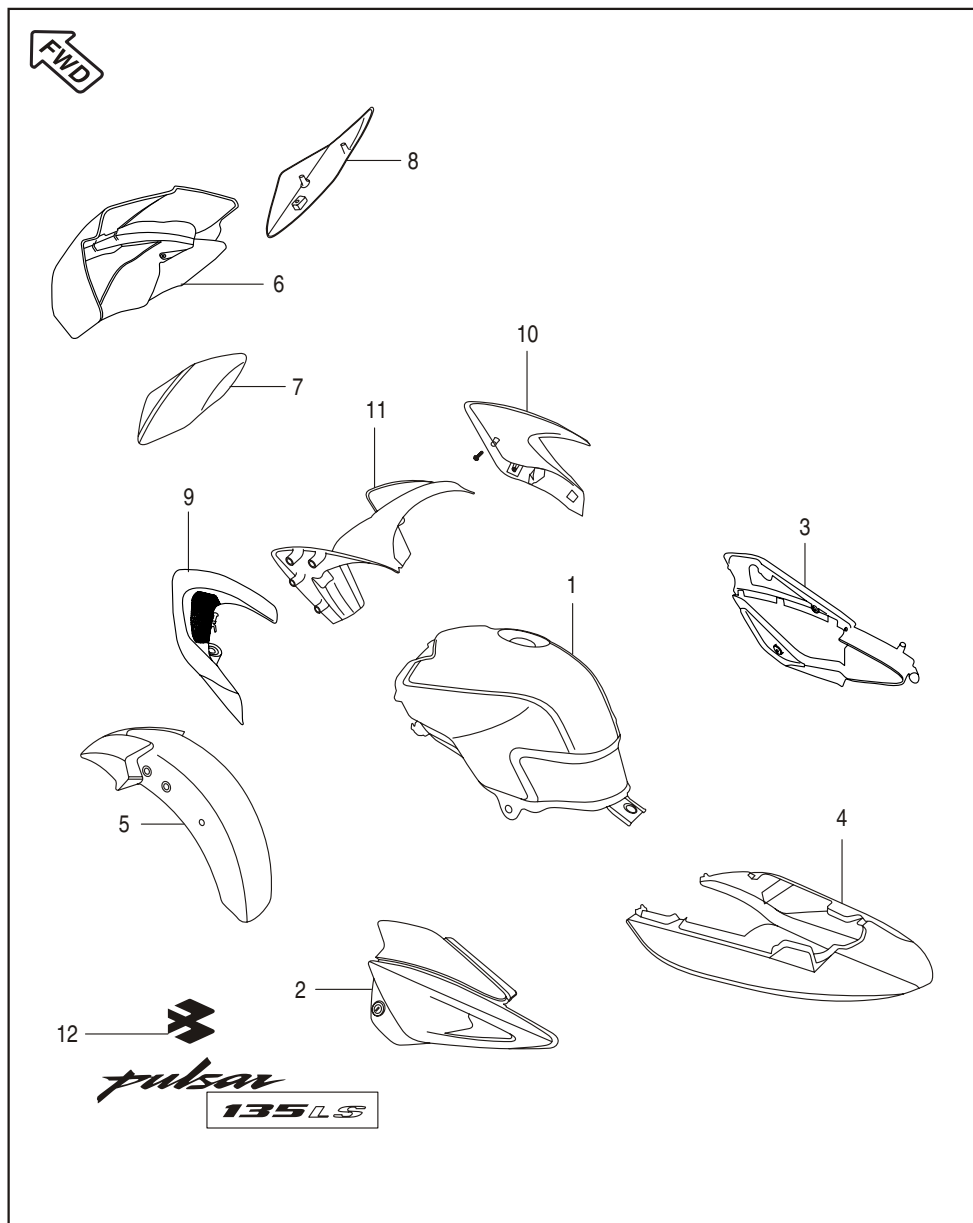
No.	Part No.	Description	Qty.	Remarks
21	JB 1510 22	Speed Sensor Cable Bracket	1	N.I.
22	39 1943 04	Bolt Flanged	1	N.I. for Speedo Sensor Cable Bracket Mounting
23	JD 1510 06	Lamp Shade Assembly	1	
24	DJ 1810 64	Grommet Head Lamp Mounting	1	N.I. Mtg. Lamp Shade
25	DJ 1810 29	Collar Head Lamp Mounting	4	N.I. Mtg. Lamp Shade
26	DJ 1810 52	Cover Trail 'B'	4	
27	DJ 1810 85	Cushion Rubber	4	

Painted Parts and Decals



No.	Part No.	Description	Qty.	Remarks
1	JD 7103 4R	Fuel Tank with New Decal	1	Passion Red
	JD 7103 4M	Fuel Tank with New Decal	1	Midnight Black
	JD 7103 5G	Fuel Tank with Dual Decal	1	Plasma Blue
	JD 7103 5L	Fuel Tank with Dual Decal	1	Passion Red
2	52 JD00 61	Side Cover LH	1	Silver Painted
	52 JD02 07	Side Cover LH with Dual Decal	1	Plasma Blue Decal
	52 JD01 95	Side Cover LH with Dual Decal	1	Passion Red Decal
	52 JD02 16	Side Cover LH with Dual Decal	1	Midnight Black
3	52 JD00 62	Side Cover RH	1	Silver Painted
	52 JD02 08	Side Cover RH with Dual Decal	1	Plasma Blue Decal
	52 JD01 96	Side Cover RH with Dual Decal	1	Passion Red Decal
	52 JD02 15	Side Cover RH with Dual Decal	1	Midnight Black
4	JD 7601 4R	Seat Cowl	1	Passion Red
	JD 7601 4M	Seat Cowl	1	Midnight Black
5	JD 7202 4R	Fender Front	1	Passion Red
	JD 7202 4M	Fender Front	1	Midnight Black
	52 JD02 04	Fender Front	1	Plasma Blue
6	52 JD00 67	Windshield with mask	1	Black With Blue Decals
7	JD 7301 4R	Cowling LH	1	Passion Red
	JD 7301 4M	Cowling LH	1	Midnight Black
	JD 7301 5G	Cowling LH with Dual Decal	1	Plasma Blue Decal
	JD 7301 5L	Cowling LH with Dual Decal	1	Passion Red Decal
8	JD 7302 4R	Cowling RH	1	Passion Red
	JD 7302 4M	Cowling RH	1	Midnight Black

Painted Parts and Decals



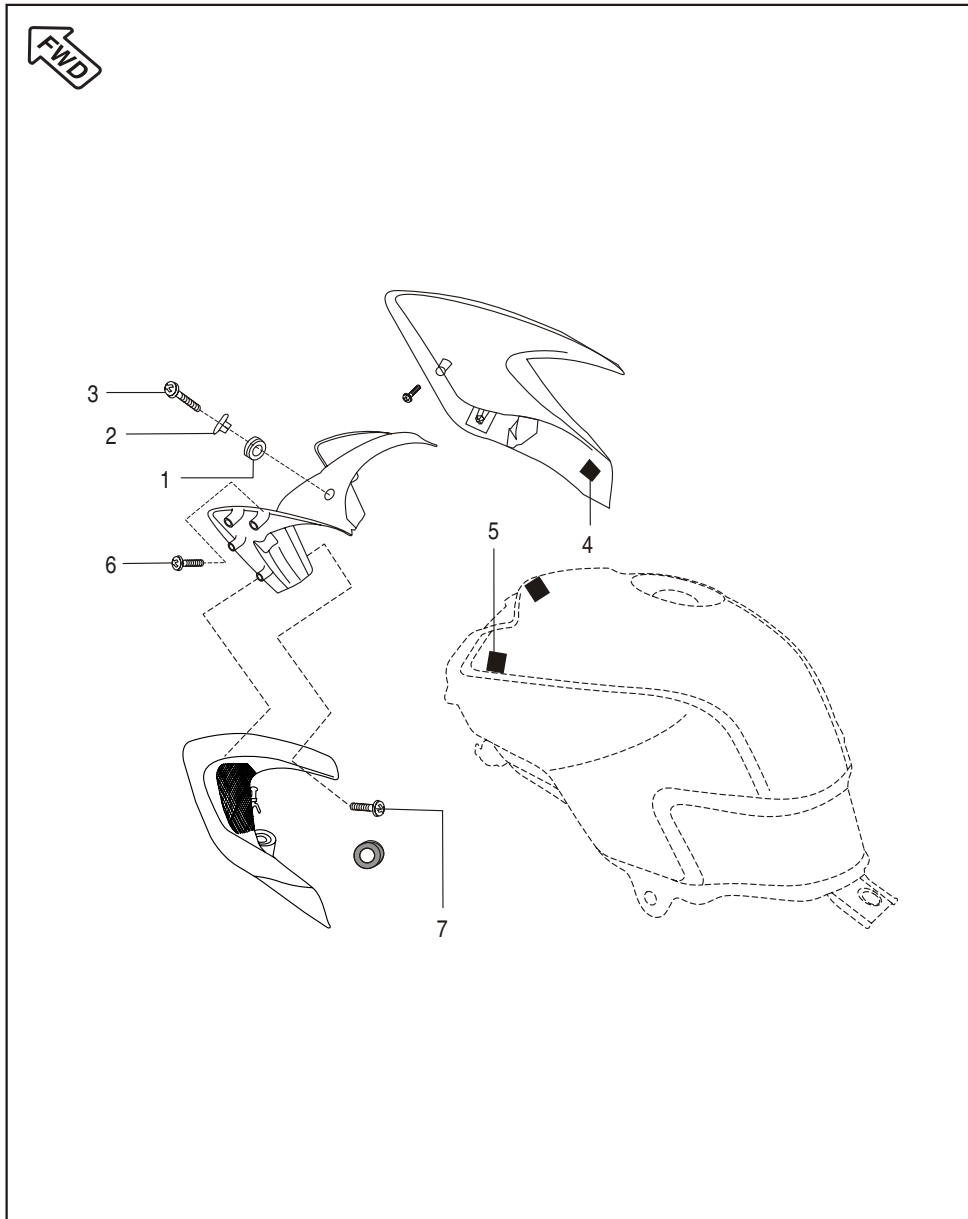
No.	Part No.	Description	Qty.	Remarks
	JD 7302 5G	Cowling RH Dual Decal	1	Plasma Blue Decal
	JD 7302 5L	Cowling RH Dual Decal	1	Passion Red Decal
9	JD 7401 4R	Tank Spoiler LH	1	Passion Red
	JD 7401 4M	Tank Spoiler LH	1	Midnight Black
	JD 7401 5G	Tank Spoiler LH Dual Decal	1	Plasma Blue Decal
	JD 7401 5L	Tank Spoiler LH Dual Decal	1	Passion Red Decal
10	JD 7402 4R	Tank Spoiler RH	1	Passion Red
	JD 7402 4M	Tank Spoiler RH	1	Midnight Black
	JD 7402 5G	Tank Spoiler RH Dual Decal	1	Plasma Blue Decal
	JD 7402 5L	Tank Spoiler RH Dual Decal	1	Passion Red Decal
11	JD 7403 4R	Central Spoiler	1	Passion Red
	JD 7403 4M	Central Spoiler	1	Midnight Black
	JD 7403 5G	Central Spoiler	1	Plasma Blue
12	JD 2330 12	Tank Decal Pulsar LH/RH Red	2	Non Chrome
	JD 2330 14	Seat Cowl Decal LH/RH Red	2	Non Chrome
	JD 2330 18	4 Valve Decal LH Red	1	Non Chrome
	JD 2330 19	4 Valve Decal RH Red	1	Non Chrome
13	JD 2330 12	Tank Decal Pulsar LH/RH Black	2	Non Chrome
	JD 2330 14	Seat Cowl Decal LH/ RH Black	2	Non Chrome
	JD 2330 16	4 Valve Decal LH Black	1	Non Chrome
	JD 2330 17	4 Valve Decal RH Black	1	Non Chrome

Dual Color Decals



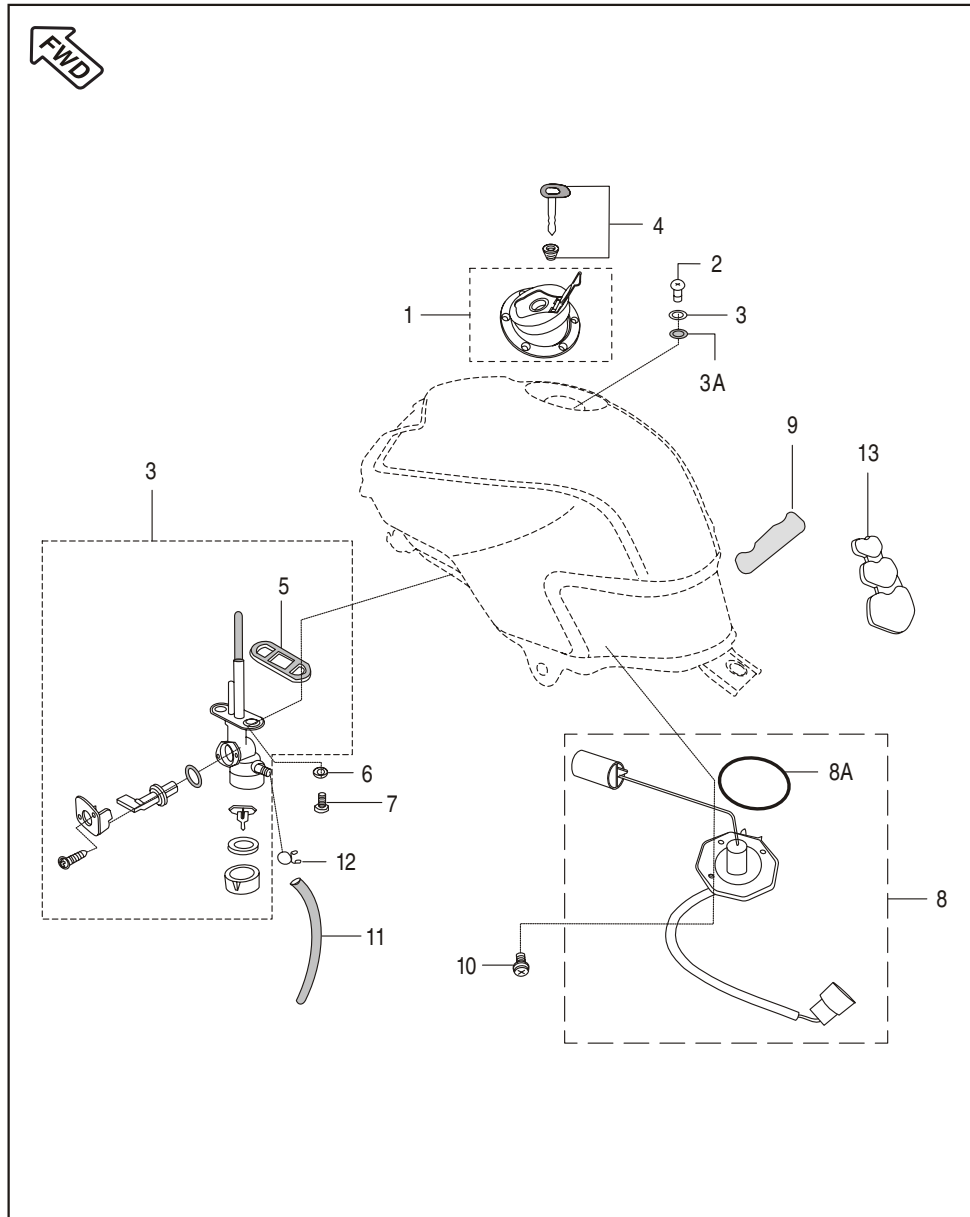
No.	Part No.	Description	Qty.	Remarks
1	36 JD00 11	Kit Fairing Decal Red	1	
	36 JD 00 16	Kit Fairing Decal Blue	1	
2	36 JD00 12	Kit Spoiler Decal Red	1	
	36 JD00 17	Kit Spoiler Decal Blue	1	
3	36 JD00 15	Kit Tank Decal Red	1	
	36 JD00 20	Kit Tank Decal Blue	1	
4	36 JD00 13	Kit Side Cover Decal Red	1	
	36 JD00 19	Kit Side Cover Decal Blue	1	
5	36 JD00 14	Kit Seat Cowl Decal Red	1	
	36 JD00 18	Kit Seat Cowl Decal Blue	1	
<p>Note - For Plasma Blue & Passion Red Dual Color Decal Vehicles - The Seat Cowl & Side Cover - Black Color is common. (to be used along with above Decal Set.)</p>				

Petrol Tank Spoiler



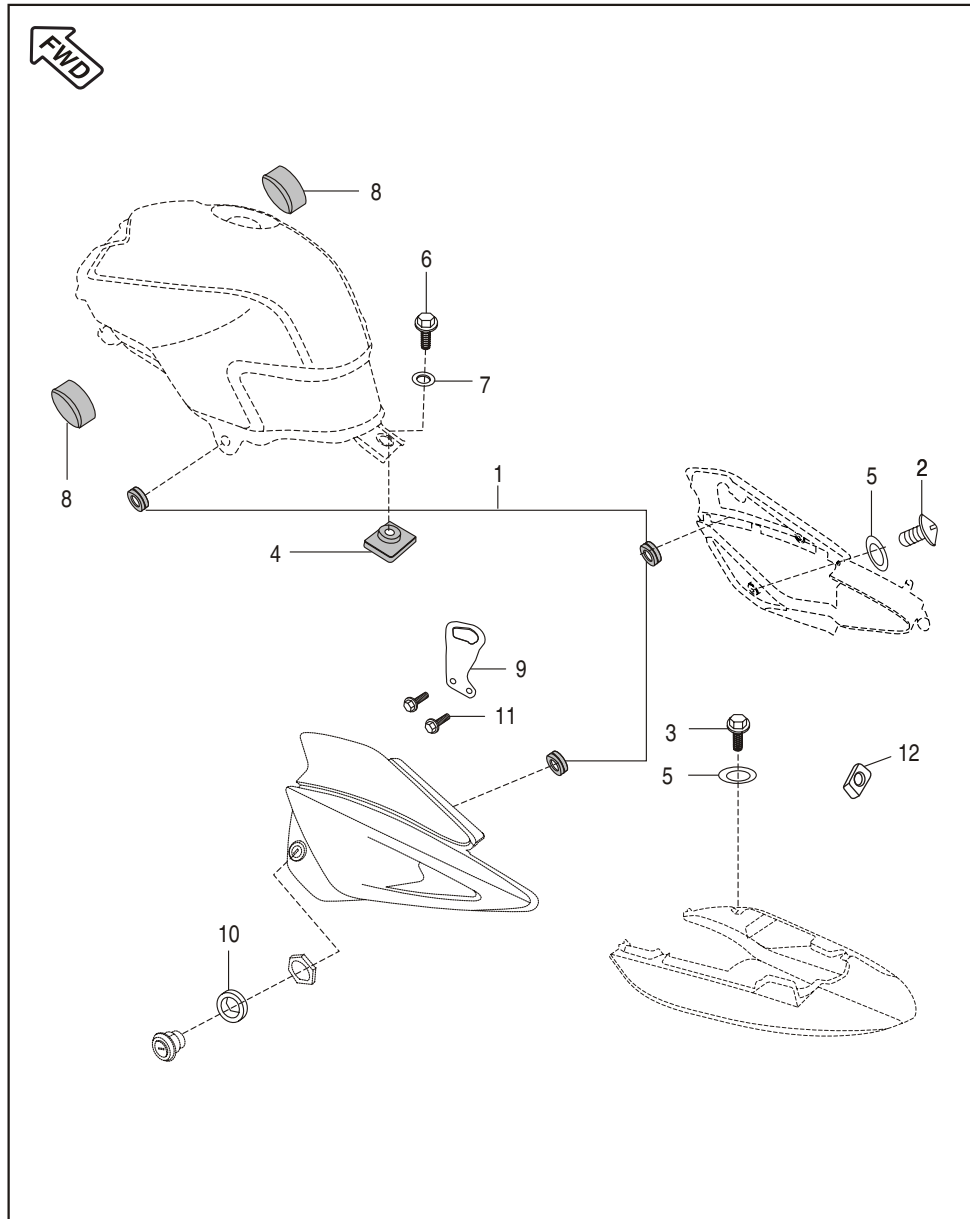
No.	Part No.	Description	Qty.	Remarks
1	JW 1710 14	Grommet Central Spoiler	3	
2	JW 1710 15	Collar Spoiler	3	
3	JD 1710 16	Round Head Screw	1	
4	JW 1710 07	Dual lock Tape 15x20	4	
5	JD 1710 18	Dual Lock Tape 10x20	8	
6	JW 1710 16	Screw	2	For Fitting Central Spoiler
7	59 0200 01	Screw	8	For Flap LH/RH Fitment on Central Spoiler
8	JC 1410 17	Grommet Tank Cover	2	N.I.
9	JW 1710 06	Clip Nut on Tank Bracket	2	N.I.

Petrol Tank, Cap Tank and Gauge Fuel



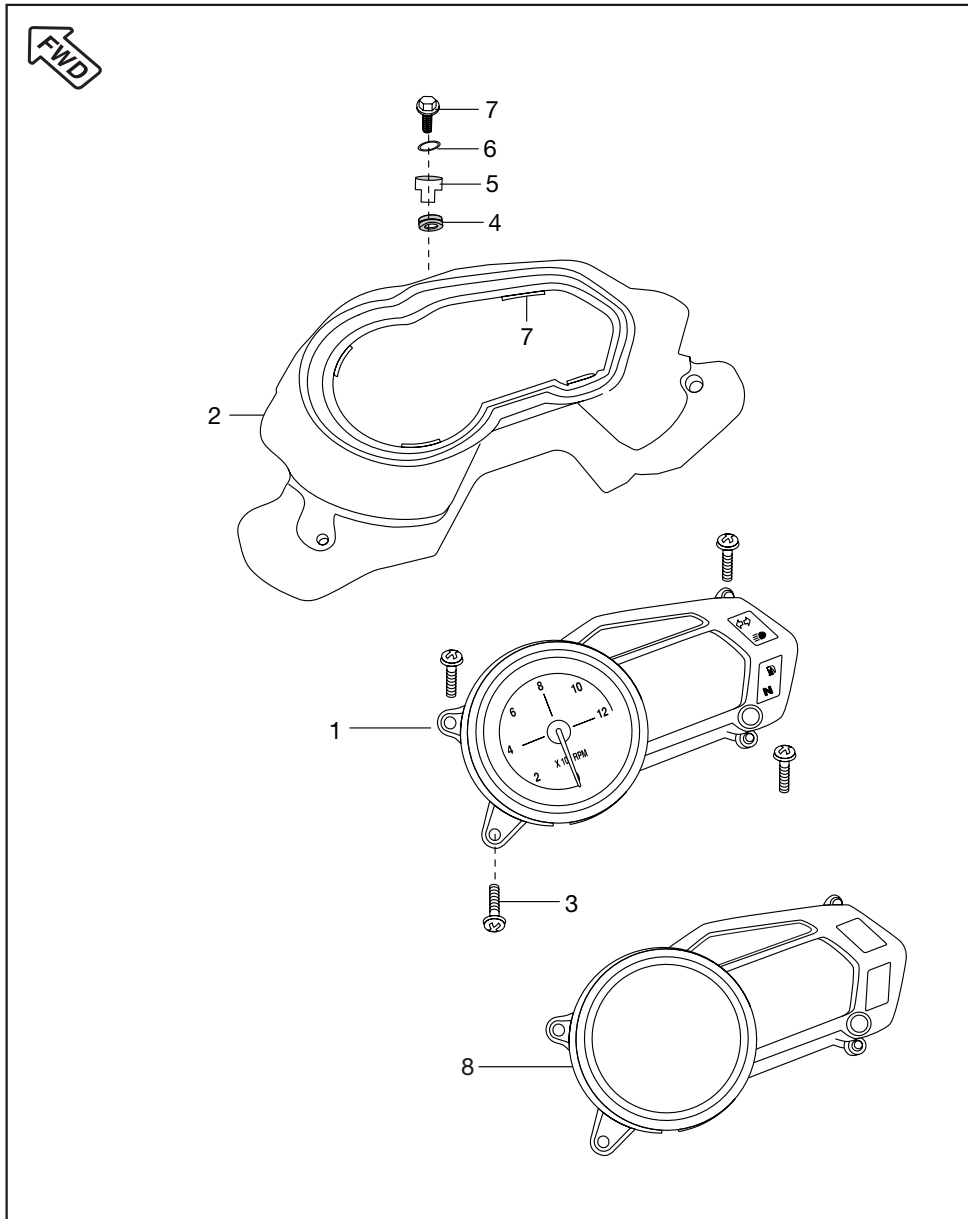
No.	Part No.	Description	Qty.	Remarks
1	JD 1716 00	Cap Assly. Tank	1	
2	39 2381 04	Screw Pan Cross	6	
3	JD 1710 30	Fuel Tap Assly	1	
4	JW 2326 01	3 In 1 Lock Set with Key	1	
5	30 1410 39	Packing	1	For Petrol Cock
6	DD 1410 22	Bolt Flanged	2	For Petrol Cock
7	39 0740 11	Washer (Non-Metallic)	2	For Petrol Cock
8	JD 4026 01	Fuel Gauge - Tank Unit (TFR)	1	
8A	39 2758 21	'O' Ring	1	For Tank Unit
9	JD 1710 38	Seat Tape	1	Pasted on Tank
10	39 2484 15	Flanged Nut	4	
11	JD 1718 00	Tube Fuel	1	Cock to Carburettor
12	33 1410 08	Pipe Clip	2	
13	DK 1410 15	Tank Pad		
14	JW 1710 26	Drain Pipe	1	N.I.
15	DJ 1410 02	Clamp Drain Pipe	1	N.I.

Fittings - Petrol Tank, Side Covers & Cover Seat



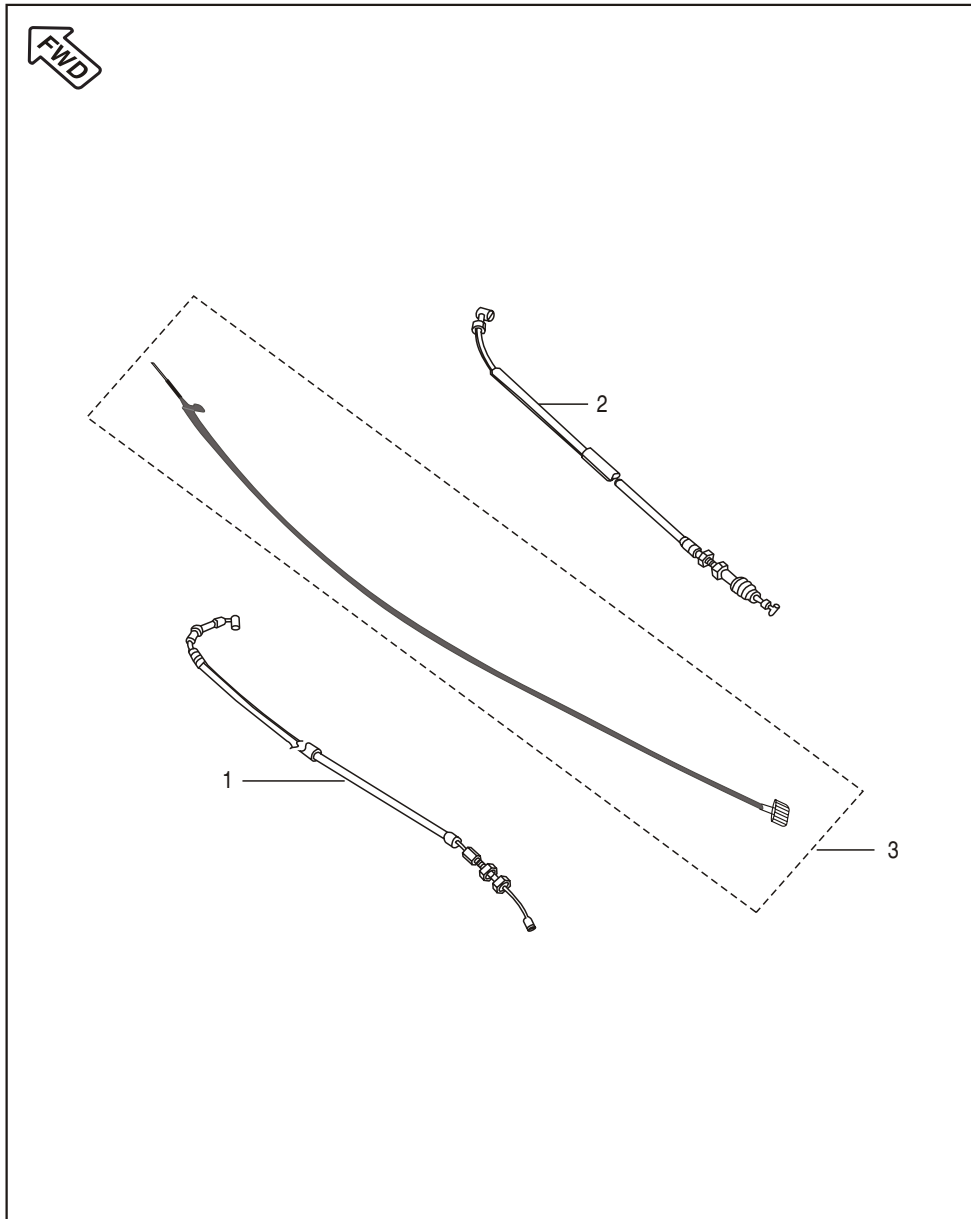
No.	Part No.	Description	Qty.	Remarks
1	36 JE00 09	Grommet Kit for Side Cover	1	Refer Page No.106
2	DG 1611 21	Screw	1	
3	39 1943 04	Flanged Bolt	2	Seat Cowl Mounting
4	JW 1710 17	Damper Rear	1	For Tank
5	39 1789 24	Washer Nylon	3	
6	JW 1110 25	Socket Head Bolt	1	
7	39 1054 11	Plain Washer	1	
8	DJ 1410 08	Damper Front	2	For Tank Mounting
9	JD 1110 12	Bracket Side Cover Lock	1	
10	DL 1610 15	Grommet Seat Cowl	2	
11	39 2754 04	Hex Head Bolt	2	For Side Cover Bracket Mounting
12	JD 1110 11	Clip Nut for Side Cover	1	

Meter Assembly



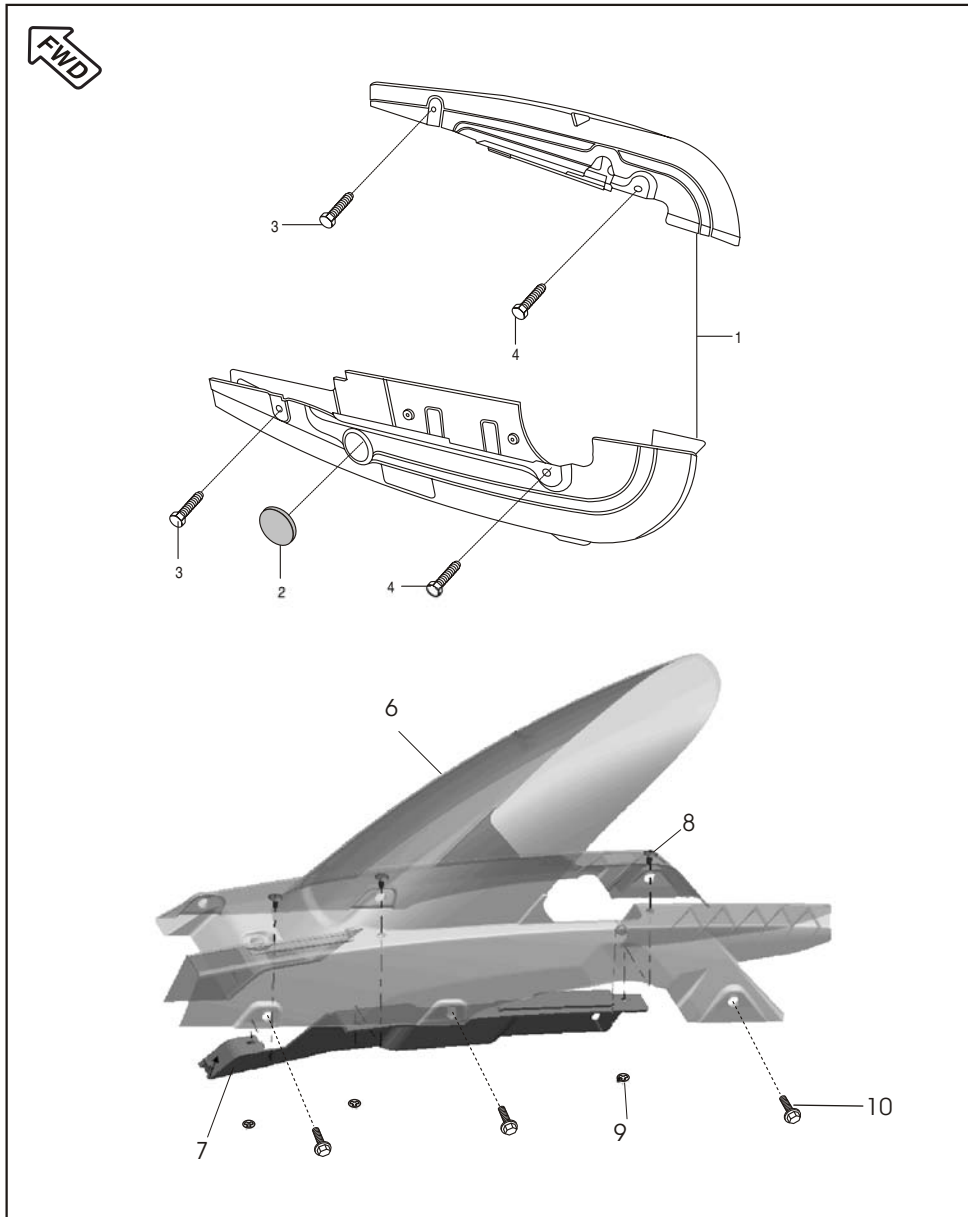
No.	Part No.	Description	Qty.	Remarks
1	JD 4024 00	Speedometer Assembly With Pig Tail	1	Upto- Chs. no. SCJ04313
	JD 4024 01	Speedometer Assembly	1	From- Chs. no. SCJ04314
2	JD 1812 11	Flap Cowling	1	
3	39 1778 02	Screw	4	
4	JC 1410 15	Grommet	3	
5	JC 1410 16	Collar	3	
6	39 0711 11	Washer	3	
7	DJ 1810 77	Special Bolt	3	
8	JD 4024 02	Speedometer Top Cover & Gasket	1	Ref. Cir. No. B-28

Control Cables



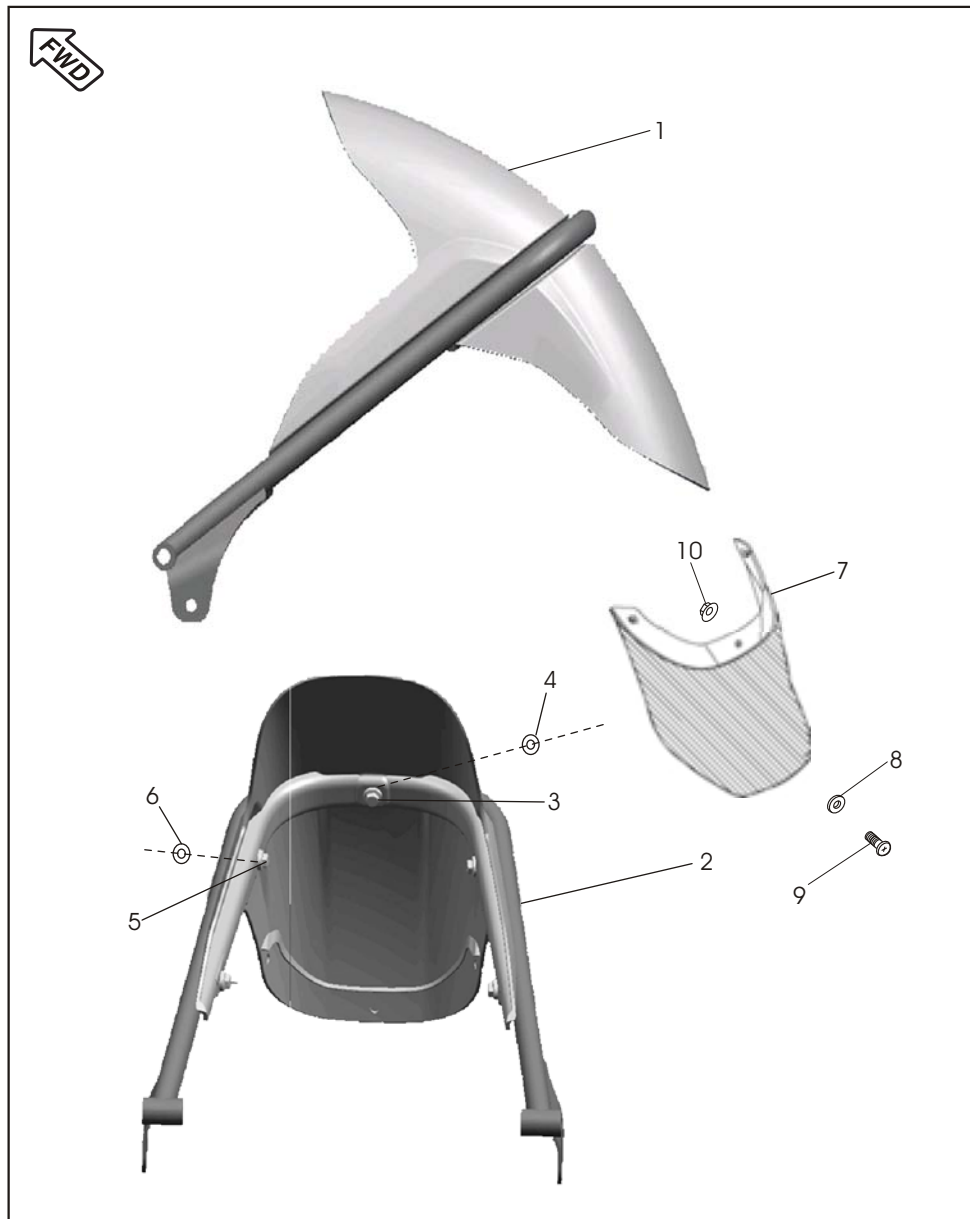
No.	Part No.	Description	Qty.	Remarks
1	JD 1612 00	Cable Accelerator	1	
2	JD 1612 01	Cable Clutch	1	
3	DJ 2011 83	Speedometer Sensor	1	

Chain Case



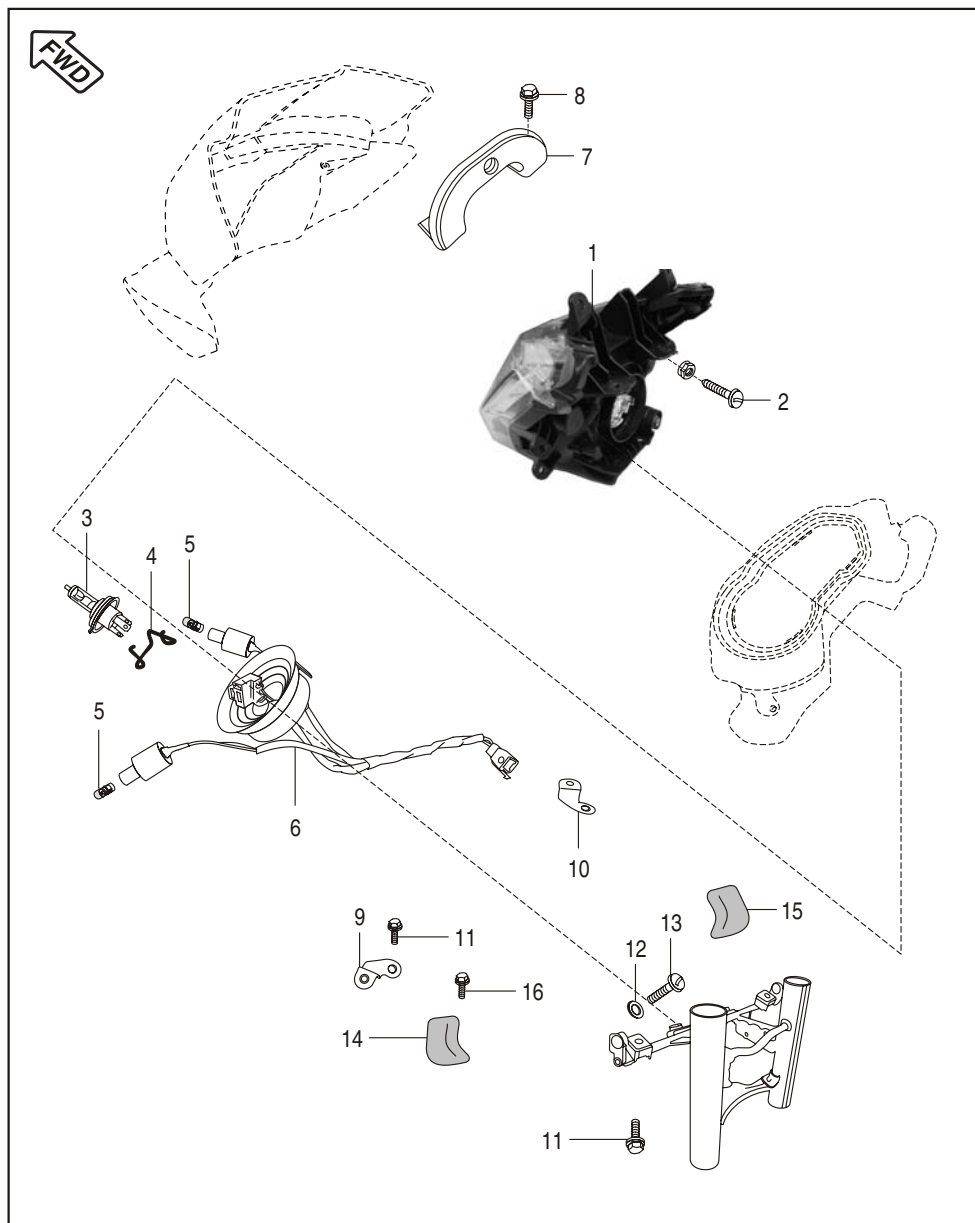
No.	Part No.	Description	Qty.	Remarks
Full Chain Cover				
1	52 JD00 25	Chain Case Assembly Kit	1	
2	15 1610 69	Rubber Cap	1	
3	DH 1612 83	Bolt	2	
4	JB 1812 20	Flange Bolt 62L	2	
5	JB 1812 21	Flange Bolt 50L	1	
Half Chain Cover				
6	JD 1812 33	Chain Cover	1	
7	JD 1812 32	Cover Chain Inner	1	
8	JD 1812 34	Plastic Nail	3	
9	01 1605 08	Lock Washer	3	
10	DS 1612 24	Bolt Stepped with Flange	7	

Cover Mud Rear



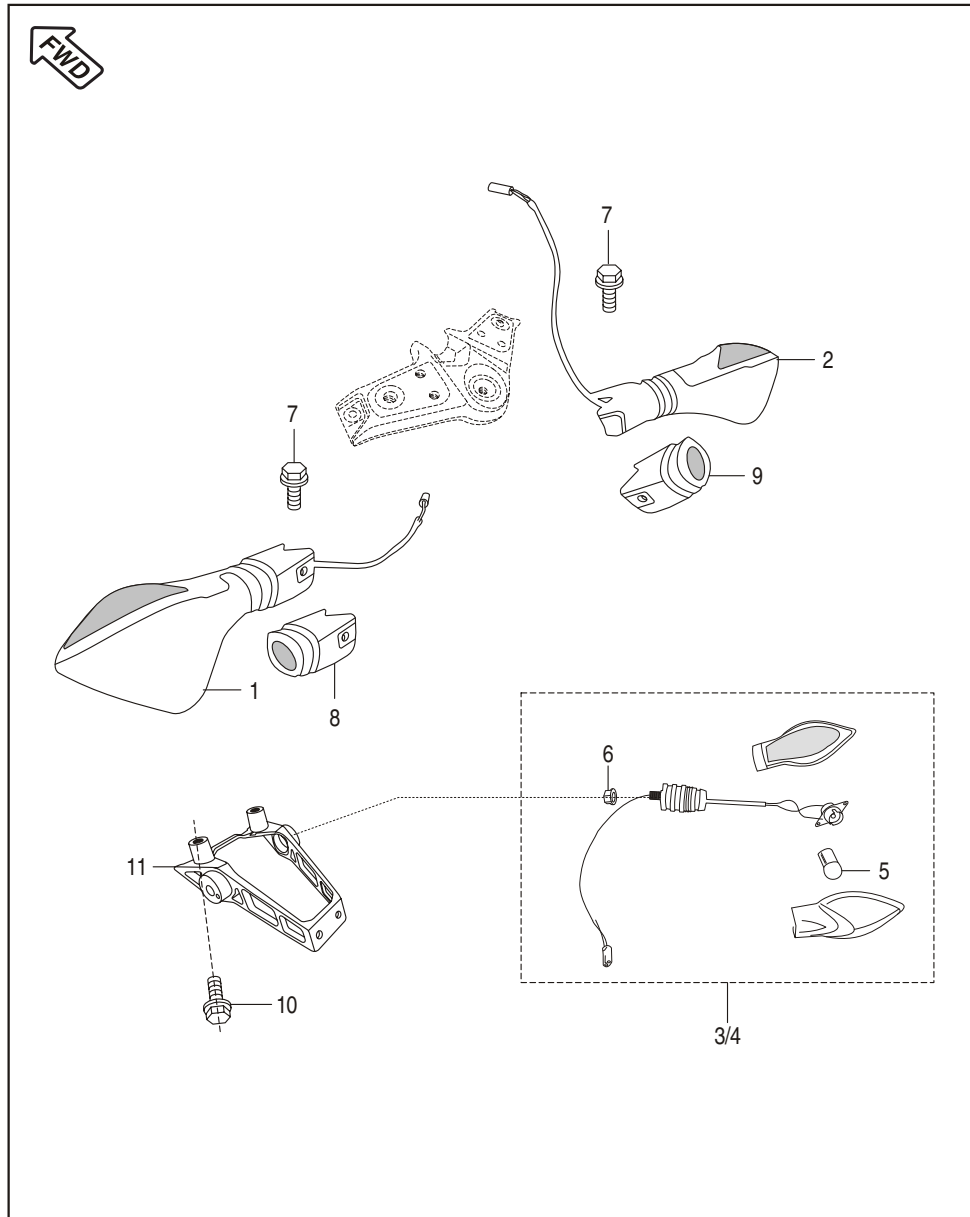
No.	Part No.	Description	Qty.	Remarks
1	JD 1814 08	Cover Mud Rear	1	
2	JD 1810 06	Tube Rear Hugger MTG	1	
3	39 2060 04	Bolt Flange M5	1	
4	39 1765 11	Washer Plain	1	
5	39 1680 04	Flange Bolt M6	4	
6	39 0219 11	Washer Plain	4	
7	JD 1814 09	Flap Mud Rear	1	Ref. Cir - IB-7
8	39 0242 11	Washer Plain	6	Ref. Cir - IB-7
9	LB B000 01	Screw Pan Cross M5 x 0.8 x 12	3	Ref. Cir - IB-7
10	39 0326 15	Nut Nyloc M5 x 0.8	3	Ref. Cir - IB-7

Head Lamp & Fairing



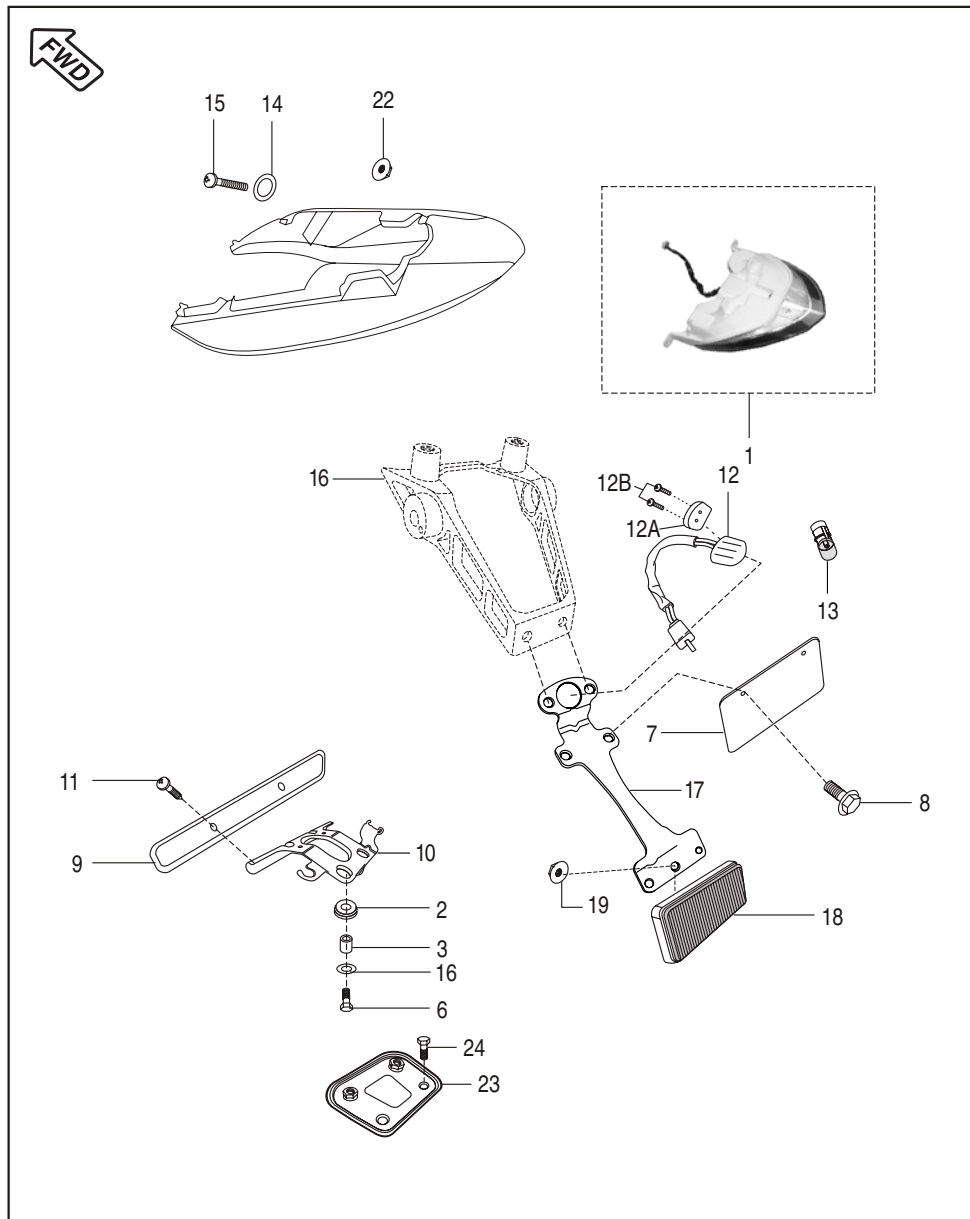
No.	Part No.	Description	Qty.	Remarks
1	JD 4010 24	Head Lamp Assembly	1	Without Bulb
2	39 1778 02	Screw Tapping	6	For Head Lamp
3	CL 2010 23	Lamp 12V 35/35W-HS1	1	
4	DS 2010 36	Head Lamp Bulb Clip	1	
5	DJ 2010 72	Lamp 12V 5W	2	Pilot Lamp
6	JD 4010 25	Head Lamp Harness Branch	1	
7	JD 1812 21	Bracket Speedo Cover Mtg	1	
8	39 2208 04	Bolt Flange Bracket Speedo	2	
9	JD 1510 38	Bracket H/L Mtg Lower RH	1	
10	JD 1510 37	Bracket H/L Mtg Lower LH	1	
11	39 1553 04	Bolt Flange M-6	4	
12	39 1765 11	Washer	2	For Bracket Cowling Mounting
13	39 1844 01	Screw M-5	2	
14	JD 1812 28	Cover Harness LH	1	
15	JD 1812 29	Cover Harness RH	1	
16	39 1943 04	Bolt Flange	2	For Cover Harness Side
17	39 1778 02	Screw	4	For Cowling LH / RH
18	35 1610 60	Nut Clip	2	For Cowling LH / RH
19	01 1605 08	Lock Washer	2	For Wind Shield

Indicator Light Assembly



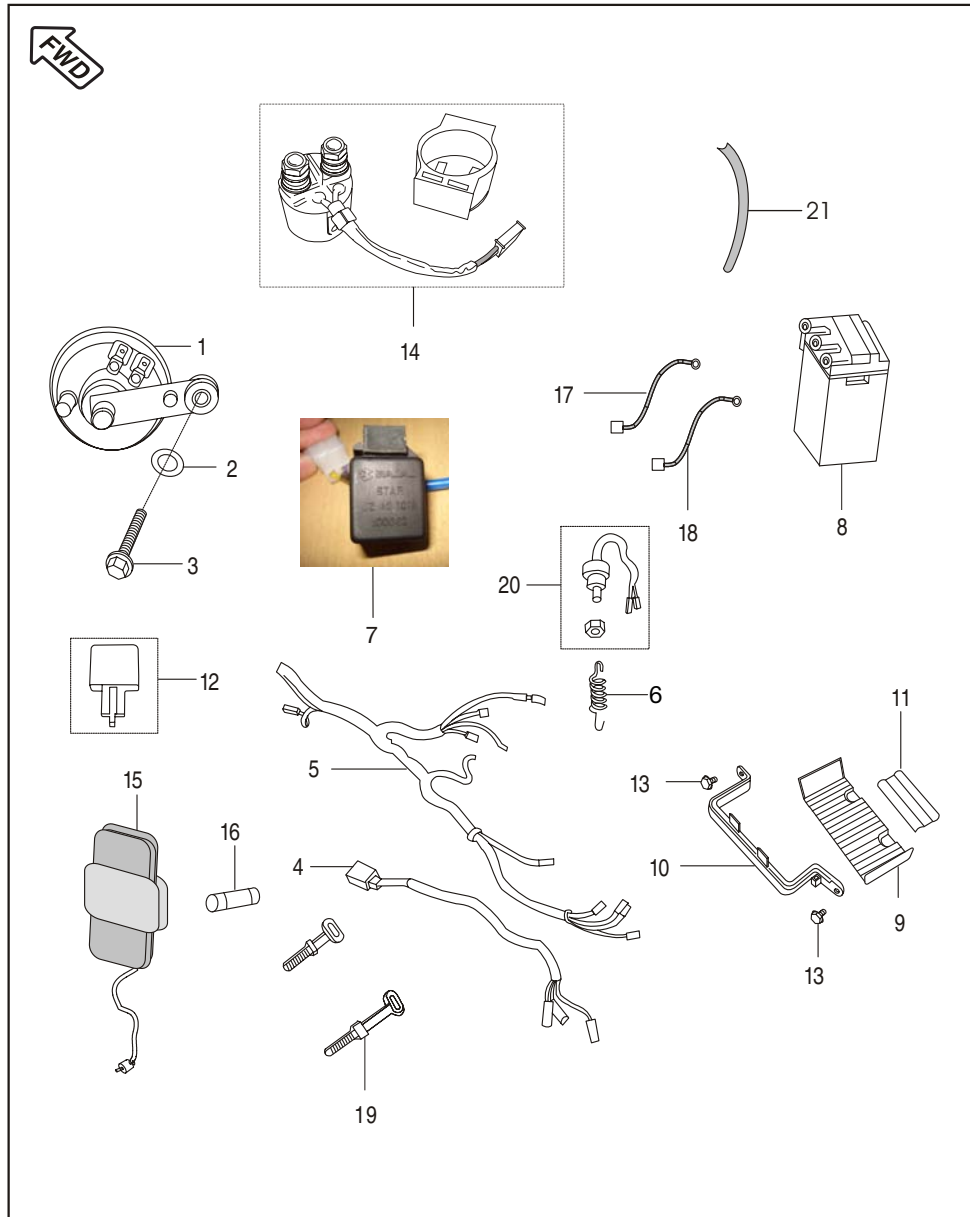
No.	Part No.	Description	Qty.	Remarks
1	JD 4010 04	Indicator Assembly Front LH	1	
2	JD 4010 03	Indicator Assembly Front RH	1	
3	JD 4010 03	Indicator Assembly Rear LH	1	
4	JD 4010 04	Indicator Assembly Rear RH	1	
5	GH 2010 12	Lamp 12 V - 10W	4	N.I.
6	39 1225 15	Hex Nut with Flange	2	For Mounting Blinker
7	39 1913 04	Bolt Flange	2	For Blinker Mounting Bracket
8	JD 1510 23	Bracket Front Blinker Mounting LH	1	
9	JD 1510 24	Bracket Front Blinker Mounting RH	1	
10	DG 1810 58	Socket Head Bolt	2	Bracket Mounting
11	JD 1138 01	Bracket Rear Blinker Mounting	1	

Tail Lamp Assly / Front Number Plate



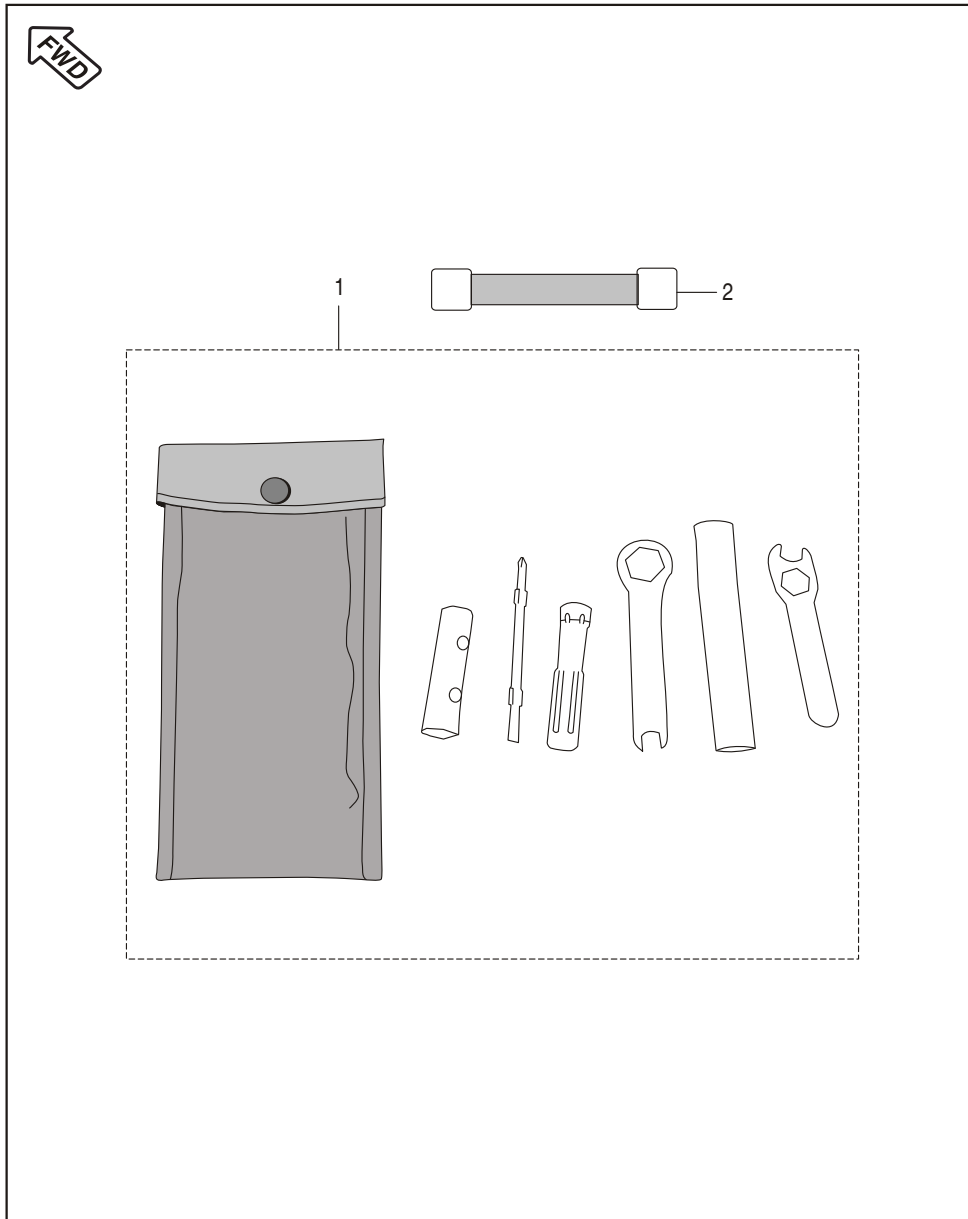
No.	Part No.	Description	Qty.	Remarks
1	JD 4010 08	LED Tail Lamp	1	
2	DD 2010 11	Damper	2	For Front No. Plate
3	DJ 1810 83	Collar	2	For Front No. Plate
4	39 2124 15	Flange Nut	1	Reflector Mounting
5	JD 1138 00	Bracket Rear No. Plate	1	N.I.
6	39 1553 04	Bolt Flange	2	For Front No. Plate
7	DP 1611 45	Number Plate Rear	1	
8	39 2476 04	Hex Flanged Bolt	2	For Rear No. Plate
9	DP 1611 44	Number Plate Front	1	
10	JD 2328 02	Front No. Plate Mounting Bracket	1	
11	39 1783 01	Truss Screw Front No. Plate	2	No. Plate Lamp
12	JD 4010 07	No. Plate Lamp with 2 Point Coupler	1	
12A	JD 4010 23	Cover Rear Number Plate Lamp	1	
12B	39 0757 01	Screw Pan Cross M5	2	
13	DJ 2010 72	Bulb 12V/ 5W	1	Rear No. Plate Lamp
14	39 2179 24	Washer (Non Metallic)	4	For LED Tail Lamp
15	39 1523 01	Screw For LED Tail Lamp	4	
16	JD 1138 01	Bracket Rear Blinker Mounting	1	
17	JD 1138 02	Bracket Reflector Mounting	1	
18	DD 2010 02	Reflector Reflex	1	
19	39 1972 15	Nut for Reflex	1	
20	JW 4010 10	Cap Tail Camp	1	N.I.
22	DJ 1612 29	Clip Nut Tail Lamp	4	
23	JD 2328 01	Bracket Number Plate Mounting	1	
24	39 1943 04	Bolt	2	

Electrical Equipments



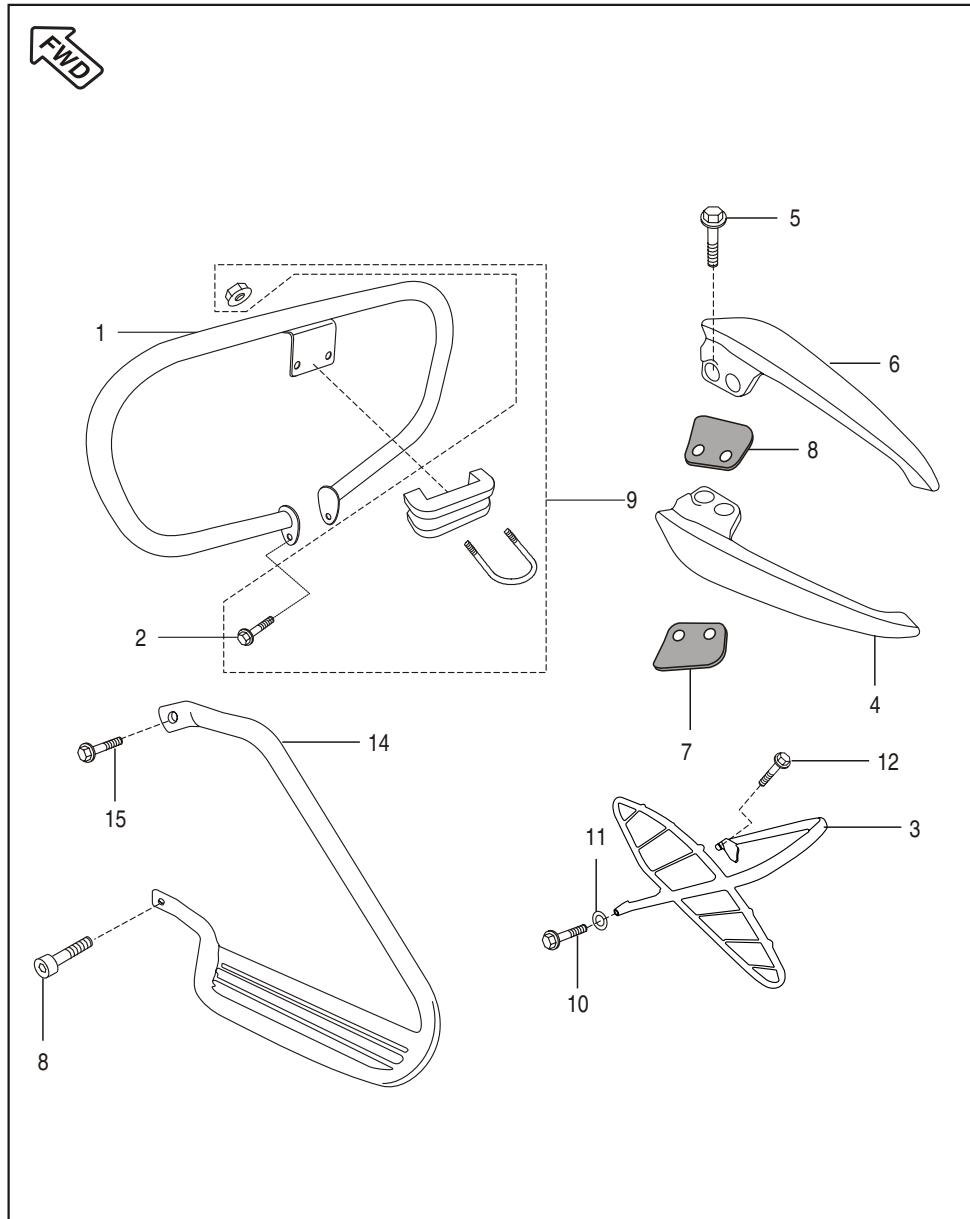
No.	Part No.	Description	Qty.	Remarks
1	DK 2010 37	Horn LH with Stay	1	
	DK 2010 38	Horn RH with Stay	1	
2	39 1507 11	Plain Washer	1	
3	39 1956 04	Flange Bolt	1	
4	JD 4022 01	Wiring Harness Front	1	Up to Chs. no.SCJ04313
	JD 4022 14	Wiring Harness Front	1	From Chs. no. SCJ04314
5	JD 4022 02	Wiring Harness Rear	1	
	JD 4022 19	Wiring Harness Rear (for Flash TPS)	1	from Ch. no. UCK00506
6	DH 1910 12	Spring Brake Switch	1	
7	JZ 4010 13	Head Lamp Control Unit	1	
8	DS 2010 82	Battery MF Dry Charged 5AH	1	
9	JA 4018 00	Base Battery (ES)	1	
10	JA 4018 01	Band Battery (ES)	1	
11	JA 4018 05	Pad II	1	
12	DS 2010 25	Assly DC Flasher	1	
13	DS 1612 24	Bolt Flange	2	
14	JN 3516 04	Starter Relay	1	With Grommet
15	30 2011 04	Fuse Box Assly.	2	For Light Main Fuse
16	30 2010 85	Fuse	2	Light & Main Fuse
17	JA 4022 02	Cable Assly. (Earthing Cable)	1	
18	JW 4022 02	Cable Assly. Starter Relay to Motor	1	
19	30 1910 48	Band (Harness) (123 mm)	5	Length 123 mm
20	31 2010 79	Rear Brake Switch	1	
21	JD 4018 03	Adapter with 530 MM Vent Tube	1	18.6.2010

Tool Kit



No.	Part No.	Description	Qty.	Remarks
1	JD 2310 00	Tool Kit	1	For Reference Only

Accessories / Grab Handle



No.	Part No.	Description	Qty.	Remarks
1	JD 2312 01	Leg Guard	1	
2	39 0798 15	Bolt Flange	2	
3	JD 2312 02	Saree Guard	1	Old
	JD 2312 04	Saree Guard	1	New
4	JD 2314 02	Grab Handle with Foam LH	1	
	JD 2314 08	Grab Handle with Foam LH	1	Black
5	39 1946 04	Flange Bolt	4	For Mounting Grab Handle
6	JD 2314 03	Grab Handle Foam RH	1	
	JD 2314 09	Grab Handle with Foam RH	1	Black
7	DJ 1610 79	Foam LH	1	
8	DJ 1610 80	Foam RH	1	
9	36 JW00 13	Kit Leg Guard	2	} Saree Gaurd Mtg.
10	39 1518 04	Hexagon Head Bolt	2	
11	39 1540 11	Plain Washer	2	
12	39 1912 04	Bolt Flange	1	
13	39 2711 15	Nut Flange M-6	2	
14	JD 2312 03	Ladies Foot Rest	1	
15	39 1849 04	Flange Bolt M-10	1	For ladies foot rest.

Kit List

Sr No	Kit Part No.	Kit Description	Consisting of Following Parts		
			Part No.	Description	Qty/Kit
1	36JE0001	Valve Repair Kit	39201719	Seat Valve Stem	2
			DG101029	Cotter Valve	2
			JD511205	Retainer Valve Spring	2
			JD511203	Seat Valve Spring	2
			JA511202	Spring Valve	2
2	36PA0002	Kit Guide Camchain	JW541012	Guide Camchain (Slack Side)	1
			JA521002	Guide Camchain (Tight Side)	1
3	36JE0002	Piston Ring Set	JE521202	Ring Piston Top	1
			JE521203	Ring Piston Second	1
			JE521204	Ring Piston Oil	1
4	36DU1007	Boss Kick Set	30101233	Boss Kit	1
			30101234	Spring	1
			30101236	Ball Steel	1
			30101235	Pin	1
			39085517	E - Type Clip	1
5	36JE0007	Chain Sprocket Kit	DJ151086	Sprocket Hub (43T)	1
			JV551000	Sprocket Drive (15T)	1
			JD141000	Chain 130 Link - 420 Series	1
6	36JW0014	Starter Clutch Repair Kit	JA621411	Bush Spring Starter Clutch	5
			DH101163	Roller Clutch	5
			JA621412	Spring	5
			DJ101109	Bush For Spring Starter Clutch	5
7	36JE0004	Set Primary Drive & Driven	JE551402	Housing Compl Clutch	1
			JA531010	Gear Primary Drive	1
8	36DS1802	Bearing Cone Kit	DH181025	Bearing cone	1
			DH181026	Bearing race	1
			DH181024	Upper bearing race	1

Kit List

Sr No	Kit Part No.	Kit Description	Consisting of Following Parts		
			Part No.	Description	Qty/Kit
9	36JE0009	Grommet Kit - Side Cover	DS141012	Grommet Side Cover Front	2
			DS161082	Grommet Side Cover Rear	2
10	52JD0025	Case Chain Kit	JD181213	Case Chain Upper Assly.	1
			JD181216	Case Chain Lower Assly.	1
			15161069	Cap Rubber	1
11	36JD0006	Jet Needle Hardware Kit	DP121056	Holder for Jet Needle	1
			JE581217	E - Type Clip	1
			PP121052	Washer - Jet Needle	1
			JE581216	Spring Jet Needle	1
12	36JD0005	Carb. Gasket- 'O' Ring Kit	DP121059	Gasket Float Chamber	1
			DH121018	Top Gasket	1
			JE581209	'O' - Ring	3
			JE581207	'O' - Ring 24x26 (eng Side)	1
			JE581215	'O' Ring Auto Chock	1
13	Dk121041	Idling Screw Kit	Je581210	Screw Idling Adjuster	1
			JE581211	Spring	1
36JD0004	Vaccum Piston Kit	JE521212	Vaccum Piston Complete	1	
		JE581213	Diaphram	1	
		JE581214	Spring	1	
14	36JD0001	Jet Kit	JE581201	Jet Needle	1
			JE581202	Needle Jet	1
			JE581203	Holder Needle Jet	1
			JE581204	Jet Main	1
			JE581201	Jet Pilot	1
15	36JD0002	VC Screw Kit	JE581206	Screw Adjuster VC	1
			JE581207	'O' - Ring Head	1
			JE581206	Spring Screw VC	1
			24121063	Plain Washer	1
			JE581209	'O' - Ring (at tip)	1

Kit List

Sr No	Kit Part No.	Kit Description	Consisting of Following Parts		
			Part No.	Description	Qty/Kit
16	36JE0012	Kit Cyl. Block / Piston Assly.	JE521000	Cylinder Block with Damper	1
			JE521200	Piston Assly.	1
17	36JE0013	Kit Cyl. Head Black Sprint	JE511001	Cylinder Head Complete	1
			31101064	Plug	1
			JA511028	Stud M8 X 1.25 X 45 L	2
18	36JE0014	Kit Chain Sprocket 'O' Ring Type.	DJ151086	Sprocket 43 T - 4 Rubber	1
			JD141001	Drive Chain 'O' Ring	1
			JV551000	Sprocket Output	1
19	36JZ0011	Kit Crankcase + Brg + Bush Magnet	JE541001	Crankcase Magneto Side	1
			JA541005	Bush Bendix	1
			JA541036	Plug (Oil Control)	1
			39256220	Bearing Needle Roller- 13x19x12	1
			JA541005	Nozzle Oil Jet	1
20	36JZ0009	Kit Clutch + BRG + Bush Crankcase	JA541003	Carnkcase Clutch Side	1
			59200036	Bearing Ball 6203 HN3 C3	1
			DU101085	Bushing	1
			31101064	Plug	1
			JA541015	Stud Inhibitor Mounting	1
21	36JZ0015	Kit Cover Magneto	JZ541210	Cover Magneto	1
			JA541005	Bush Bendix	1
			JE541212	Decal magneto Cover	1
22	36JZ0013	Kit Cover Clutch Comp.	JZ541213	Cover Clutch	1
			31101064	Plug	2
			JE541211	Decal Clutch Cover	1
23	36JD0007	Kit Adj RSA	JD122010	Sleeve Rear Shock Absorber	1
			JD122011	Guide Spring Outer	1
			JD122012	Adjuster Rear Shock Absorber	

Kit List

Sr No	Kit Part No.	Kit Description	Consisting of Following Parts		
			Part No.	Description	Qty/Kit
24	36JE0014	Chain Sprocket Kit 'O' Ring Type	DJ151086	Sprocket Hub (43T)	1
			JV551000	Sprocket Drive (15T)	1
			JD141001	Chain 130 Link 'O' Ring Type	1

SPC Updation Details

Page no.	Fig. no.	Old part no.	New part no.	Description	Updation date	Remarks
2	5	JB511020	PF511027	Plate Cyl. Head	27.01.12	Common with BM150
66	14	DJ151088	JG131219	Coupling Rubber	27.01.12	Modified for Improvement
32	1	-----	JE581230	Carburetor	27.01.12	Carburetor with Flash TPS
102	5	-----	JD402219	Wiring Harness Rear	27.01.12	Modified for Flash TPS
80	Painted Parts Details Refer		Page 80, 80A	27.01.12	Plasma Blue Color Introduction	
80	Painted Parts Details Refer		Page 80, 80A, 80B	27.01.12	Dual Tone Decal Introduction	
72	8	-----	DJ191083	Lever LH	27.01.12	For Transil Diode Type Clutch Switch
72	21	-----	DJ201246	Clutch Switch	27.01.12	Transil Diode Type
66	17	-----	JN131812	Shoe Brake Assly	30.01.12	Non Asbestos Type
72	2	-----	JD151047	Holder Handle RH	03.02.12	Bolt Shank length increased
72	3	-----	JD151043	Holder Handle LH	03.02.12	-----"do"-----
74	22	-----	JD151045	H/bar tube assly LH	03.02.12	-----"do"-----
74	23	-----	JD151048	H/bar tube assly RH	03.02.12	-----"do"-----
74	26	-----	LAC00020	Bolt	03.02.12	-----"do"-----
102	20	DJ201109	31201079	Rear Brake Switch	17.02.12	DJ201109 is for front brake switch
14,16	Gear transmission components changed in view of commonisation Ref. Page no. 14 & 16					

SPC Updation Details

Page no.	Fig. no.	Old part no.	New part no.	Description	Updation date	Remarks

Parts Index

Part Number	Figure No.	Page No.	Part Number	Figure No.	Page No.
01160508	9	92	31201079	20	102
01160508	19	96	31201081	5	22
14151033	23	24	33141008	12	84
14151033	15	28	35161060	18	96
15161069	2	92	36314002	5	48
22150241	4	30	39021111	11	54
22150451	14	52	39021911	6	94
30101142	4	24	39024011	13	28
30101195	11	26	39024211	7	54
30141039	5	84	39024211	8	94
30151011	19	66	39029215	13	50
30151033	1	60	39032615	6	54
30151038	20	66	39032615	10	94
30151069	16	66	39042215	9	56
30151075	13	66	39045411	9	50
30151096	14	70	39055302	8	50
30151105	17	66	39059417	12	8
30151118	18	60	39069415	12	70
30181009	8	48	39071111	6	88
30181011	2	48	39072211	19A	66
30181025	4	76	39073817	6	30
30181026	3	76	39074011	7	84
30181029	20	76	39074601	4	42
30191017	10	72	39074701	9	22
30191048	19	102	39075701	12B	100
30201085	16	102	39077504	23	68
30201104	15	102	39078912	11	70
31101173	3	12	39079415	9	66

Parts Index

Part Number	Figure No.	Page No.	Part Number	Figure No.	Page No.
39079708	3	56	39154011	11	106
39079815	2	106	39155304	11	28
39080115	3	66	39155304	11	96
39080708	13	70	39155304	6	100
39080808	18	18	39167121	20	24
39081715	8	18	39167304	22	24
39084001	10	60	39167304	10	40
39090012	9	60	39167404	3	42
39098717	3	14	39167704	19	34
39099206	2	16	39168004	5	94
39099206	4	38	39171519	4	22
39099311	5	30	39175904	17	22
39099906	6	20	39176511	4	94
39099906	12	22	39176511	12	96
39099906	24	24	39177304	17	34
39100006	2	10	39177802	3	88
39104119	3	24	39177802	2	96
39105411	7	86	39177802	17	96
39106504	2	26	39178301	11	100
39118011	27	74	39178924	5	86
39118101	12	76	39184401	13	96
39122515	6	98	39184904	15	106
39128215	15	52	39190204	19	18
39128321	8	4	39190204	5	44
39128321	12	4	39191204	13	54
39150711	2	102	39191204	12	106
39151804	10	106	39191304	7	98
39152301	15	100	39194304	12	42

Parts Index

Part Number	Figure No.	Page No.	Part Number	Figure No.	Page No.
39194304	12	54	39242704	16	72
39194304	19	72	39247604	8	100
39194304	22	78	39248415	10	84
39194304	3	86	39249211	8	36
39194304	16	96	39249804	4	46
39194304	24	100	39256220	2	22
39194604	5	106	39256711	26	68
39195604	3	102	39258204	17	52
39196404	14	20	39260011	3	28
39197015	2	46	39260801	10	4
39197215	19	100	39262921	11	4
39198104	23	14	39266921	13	8
39199819	17	18	39268620	12	66
39199819	4	70	39268720	15	66
39201719	7	6	39268820	2	60
39206004	19	54	39270204	10	46
39206004	3	94	39270411	7	18
39212104	7	62	39271115	13	106
39212415	4	100	39272315	6	46
39217924	14	100	39272612	6	50
39219019	7	22	39275404	13	34
39220011	12	28	39275404	7	36
39220804	8	96	39275404	11	86
39224020	6	66	39275821	8A	84
39231204	3	46	59020001	7	82
39238104	2	84	59040007	7	76
39240817	12	30	59040014	15	42
39242001	8	54	59040025	2	30

Parts Index

Part Number	Figure No.	Page No.	Part Number	Figure No.	Page No.
59040025	2	64	36JD0006	22	32
59040038	2	2	36JD0007	16	50
59040038	11	20	36JD0009	1	26
59040038	16	22	36JD0010	1	24
59040038	17	24	36JD0011	1	80B
59040038	4	26	36JD0012	2	80B
59040050	8	2	36JD0013	4	80B
59110008	2B	12	36JD0014	5	80B
59120003	2A	12	36JD0015	3	80B
59150014	1	12	36JD0016	1	80B
59200036	3	20	36JD0017	2	80B
59200036	3	22	36JD0018	5	80B
59210019	8	60	36JD0019	4	80B
59210023	14	22	36JD0020	3	80B
59210024	20	14	36JE0001	6	6
36DH1902	15	62	36JE0002	3	10
36DK0009	10	36	36JE0003	6	8
36Dk0013	13	52	36JE0004	7	12
36DK0017	7	70	36JE0004	16	28
36DK0018	8	70	36JE0005	4	28
36Ds1802	4	48	36JE0007	29	68
36DS1802	10	76	36JE0009	1	86
36DU1007	3	30	36JE0012	5	10
36DZ0020	2	76	36JE0013	1	4
36JD0001	3	32	36JE0014	29	68
36JD0002	2	32	36JW0013	9	106
36JD0004	17	32	36JW0014	6	40
36JD0005	18	32	36JZ0009	2	20

Parts Index

Part Number	Figure No.	Page No.	Part Number	Figure No.	Page No.
36JZ0011	1	22	DD101097	13	30
36JZ0013	1	24	DD111011	10A	42
36JZ0015	1	26	DD111012	11	42
52JA0023	1	38	DD111018	8	42
52JA0027	9	20	DD111048	9	42
52JA0029	12	20	DD121181	19	24
52JD0025	1	92	DD141022	6	84
52JD0061	2	80	DD151009	21	68
52JD0062	3	80	DD161071	11	36
52JD0067	6	80	DD191147	11	72
52JD0195	2	80	DD201002	18	100
52JD0196	3	80	DD201011	2	100
52JD0204	5	80	DE151006	3	60
52JD0207	2	80	DE151008	5	60
52JD0208	3	80	DE151012	4	60
52JD0215	3	80	DE151046	4	64
52JD0216	2	80	DE151047	5	64
52JE0012	2	20	DE151048	3	64
52JE0013	1	22	DE191010	5	62
52JE0016	5	10	DE191011	4	62
52JE0017	1	26	DE191028	14	62
52JE0018	1	24	DE191029	13	62
52JE0049	5	26	DE191033	6	62
CB101114	2	36	DF161102	8	56
CF111019	8	42	DG101029	3	6
CL201023	3	96	DG101418	7	24
CS101128	9	8	DG121002	8	34
DD101062	10	8	DG161121	2	86

Parts Index

Part Number	Figure No.	Page No.	Part Number	Figure No.	Page No.
DG161124	10	56	DH161239	4	56
DG181008	3	54	DH161240	7	56
DG181008	4	72	DH161283	3	92
DG181058	10	98	DH161309	13	56
DH101048	5	8	DH181014	3	48
DH101301	12	36	DH181022	15	72
DH101380	8	20	DH191007	12	72
DH101387	4	8	DH191008	13	72
DH101392	7	8	DH191012	6	102
DH101395	5	36	DH191017	24	74
DH101509	16	18	DJ141002	15	84
DH101648	14	28	DJ141008	8	86
DH101781	2	40	DJ151037	12	50
DH101784	6	22	DJ151047	14	50
DH111013	11A	42	DJ151072	7	64
DH111015	9	42	DJ151073	8	64
DH121038	7	4	DJ151074	9	64
DH121038	10	34	DJ151075	10	64
DH121059	6	32	DJ151086	28	68
DH121063	16	32	DJ151092	18	66
DH121064	21	32	DJ151094	6	60
DH121093	5	32	DJ161012	13	26
DH151029	10	70	DJ161069	5	54
DH161053	11	52	DJ161079	7	106
DH161056	16	52	DJ161080	8	106
DH161145	5	56	DJ161091	2	54
DH161146	11	56	DJ161122	12	52
DH161157	7	52	DJ161128	3	52

Parts Index

Part Number	Figure No.	Page No.	Part Number	Figure No.	Page No.
DJ161129	4	52	DJ201108	16	62
DJ161229	22	100	DJ201109	12	62
DJ171033	27	68	DJ201183	3	90
DJ181029	9	44	DJ201195	21	74
DJ181029	25	78	DJ201246	21	74
DJ181052	26	78	DK101314	9	36
DJ181064	8	44	DK121041	4	32
DJ181064	24	78	DK141015	13	84
DJ181077	10	44	DK181031	20	72
DJ181077	7	88	DK181058	26	74
DJ181083	3	100	DK201037	1	102
DJ181085	27	78	DK201038	1	102
DJ181104	6	76	DK211007	6	44
DJ191023	1	62	DK211008	4	44
DJ191025	4	62	DL161015	14	54
DJ191026	5	62	DL161015	10	86
DJ191029	8	62	DL191014	9	72
DJ191030	9	62	DM181010	13	76
DJ191031	10	62	DP101107	5	28
DJ191054	7	72	DP101111	6	28
DJ191055	8	72	DP101114	17	28
DJ191056	11	62	DP101165	4	10
DJ191057	3	62	DP121067	7	32
DJ191058	11	62	DP161144	9	100
DJ191059	3	62	DP161145	7	100
DJ191083	8	72	DP171006	6	48
DJ201072	5	96	DP171006	15	50
DJ201072	13	100	DS101117	8	30

Parts Index

Part Number	Figure No.	Page No.	Part Number	Figure No.	Page No.
DS101154	6	12	JA113201	2	56
DS101215	8	24	JA113402	7	46
DS101276	3	8	JA113403	1	46
DS109905	14	8	JA113403	9	46
DS121126	7	34	JA113404	5	46
DS151029	6	58	JA351600	7	40
DS151031	5	58	JA351602	11	40
DS151048	2	58	JA351606	8	40
DS151049	3	58	JA351608	12	40
DS151073	8	66	JA351609	13	40
DS151074	10	66	JA351618	14	40
DS161125	4	54	JA351619	16	40
DS161224	10	92	JA351624	15	40
DS161224	13	102	JA351626	9	40
DS181015	8	76	JA351627	11	40
DS181016	9	76	JA401800	9	102
DS191052	14	72	JA401801	10	102
DS191052	17	72	JA401805	11	102
DS201025	12	102	JA402202	17	102
DS201036	4	96	JA511008	4	2
DS201082	8	102	JA511011	6	2
DS211005	2	44	JA511011	9	34
DU101085	7	20	JA511028	2	4
DU101213	22	14	JA511029	7	2
DX151022	25	68	JA511216	2	8
FD101078	3	38	JA521017	8	8
GH201012	5	98	JA521019	11	8
JA113011	14	56	JA521019	18	34

Parts Index

Part Number	Figure No.	Page No.	Part Number	Figure No.	Page No.
JA521019	10	40	JA551008	18	14
JA531012	8	12	JA551009	19	14
JA531015	9	12	JA551406	2	28
JA541005	8	22	JA551422	7	28
JA541005	9	26	JA561209	6	18
JA541010	5	20	JA581005	3	34
JA541011	4	20	JA581006	4	34
JA541012	13	20	JA581009	5	34
JA541016	2	38	JA581011	16	34
JA541018	5	38	JA581012	6	34
JA541019	13	22	JA581013	15	34
JA541020	18	22	JA581406	5	4
JA541021	15	22	JA591040	3	36
JA541027	11	22	JA621002	9	30
JA541028	14	42	JA621006	11	30
JA541034	10	22	JA621402	4	40
JA541205	3	26	JA621406	5	40
JA541211	11	24	JA621410	3	40
JA541212	16	24	JA621414	1	40
JA541216	14	24	JB111033	7	48
JA541221	8	26	JB122009	5	50
JA541225	12	24	JB122010	2B	50
JA541233	10	26	JB122011	2A	50
JA541235	10	20	JB122016	1	50
JA541236	9	24	JB131017	16	60
JA541237	10	24	JB131018	14	60
JA551002	4	14	JB131019	11	50
JA551004	8	14	JB131019	17	60

Parts Index

Part Number	Figure No.	Page No.	Part Number	Figure No.	Page No.
JB151022	21	78	JD113032	6	52
JB181220	4	92	JD113035	1	52
JB181221	5	92	JD113036	2	52
JB401402	18	72	JD113200	6	56
JB402202	7	10	JD113201	12	56
JB531021	10	12	JD113400	8	46
JC141015	4	88	JD113800	5	100
JC141016	5	88	JD113801	11	98
JC141017	8	82	JD113801	16	100
JC191009	13	18	JD113802	17	100
JC191009	2	70	JD113807	11	44
JD111011	12	86	JD121002	17	76
JD111012	11	34	JD122002	10	50
JD111012	9	86	JD122003	3	50
JD111054	1	48	JD122004	9	70
JD113002	1	52	JD122008	4	50
JD113003	2	52	JD122013	7	50
JD113013	3	52	JD131000	1	58
JD113014	9	52	JD131000	13	60
JD113015	4	52	JD131210	5	66
JD113016	5	52	JD131212	11	66
JD113017	6	52	JD131213	24	68
JD113019	7	52	JD131601	22	68
JD113024	8	52	JD131808	2	62
JD113025	10	52	JD131809	15	54
JD113026	1	52	JD131810	12	60
JD113027	2	52	JD131811	11	60
JD113031	5	52	JD131813	1	64

Parts Index

Part Number	Figure No.	Page No.	Part Number	Figure No.	Page No.
JD141001	2	66	JD161003	6	70
JD141003	1	66	JD161200	1	90
JD151000	1	76	JD161201	2	90
JD151003	14	76	JD171016	3	82
JD151004	15	76	JD171018	5	82
JD151006	23	78	JD171030	3	84
JD151015	1	72	JD171038	9	84
JD151016	3	72	JD171600	1	84
JD151017	2	72	JD171800	11	84
JD151023	8	98	JD181000	20	54
JD151024	9	98	JD181001	21	54
JD151026	5	76	JD181002	22	54
JD151028	19	76	JD181003	10	54
JD151029	11	76	JD181006	2	94
JD151032	28	74	JD181211	2	88
JD151034	22	74	JD181221	7	96
JD151035	23	74	JD181228	14	96
JD151037	10	96	JD181229	15	96
JD151038	9	96	JD181232	7	92
JD151043	3	72	JD181233	6	92
JD151045	22	74	JD181234	8	92
JD151047	2	72	JD181401	1	54
JD151048	23	74	JD181402	9	54
JD151051	3	72	JD181404	17	54
JD151052	2	72	JD181405	16	54
JD151054	1	72	JD181408	1	94
JD161001	1	70	JD181409	18	54
JD161002	5	70	JD181409	7	94

Parts Index

Part Number	Figure No.	Page No.	Part Number	Figure No.	Page No.
JD191003	3	44	JD401003	3	98
JD191006	7	44	JD401004	1	98
JD191007	8	44	JD401004	4	98
JD191008	9	44	JD401007	12	100
JD191012	1	44	JD401008	1	100
JD231000	1	104	JD401023	12A	100
JD231201	1	106	JD401024	1	96
JD231202	3	106	JD401025	6	96
JD231203	14	106	JD401803	21	102
JD231204	3	106	JD402201	4	102
JD231402	4	106	JD402202	5	102
JD231403	6	106	JD402214	4	102
JD231408	4	106	JD402219	5	102
JD231409	6	106	JD402400	1	88
JD231600	29	74	JD402401	1	88
JD231601	30	74	JD402402	8	88
JD232801	23	100	JD402601	8	84
JD232802	10	100	JD511004	9	4
JD233012	12	80A	JD511008	3	4
JD233012	13	80A	JD511010	3	2
JD233014	12	80A	JD511201	4	6
JD233014	13	80A	JD511202	5	6
JD233016	13	80A	JD511207	2	6
JD233017	13	80A	JD511209	1	6
JD233018	12	80A	JD511211	1	8
JD233019	12	80A	JD521002	1	10
JD351205	10B	42	JD531004	11	12
JD401003	2	98	JD541000	12	12

Parts Index

Part Number	Figure No.	Page No.	Part Number	Figure No.	Page No.
JD551000	1	14	JD581007	14	34
JD551200	14	14	JD581202	12	32
JD551201	7	14	JD591026	4	36
JD551202	11	14	JD591056	1	36
JD551203	12	14	JD591057	1	36
JD551204	13	14	JD621001	7	30
JD551205	6	14	JD71034M	1	80
JD551206	5	14	JD71034R	1	80
JD551207	2	14	JD71035G	1	80
JD551208	10	14	JD71035L	1	80
JD551209	17	14	JD72024M	5	80
JD551400	1	28	JD72024R	5	80
JD561001	1	16	JD73014M	7	80
JD561002	7	16	JD73014R	7	80
JD561004	5	16	JD73015G	7	80
JD561005	6	16	JD73015L	7	80
JD561006	4	16	JD73024M	8	80
JD561011	3	16	JD73024R	8	80
JD561203	4	18	JD73025G	8	80A
JD561204	5	18	JD73025L	8	80A
JD561411	9	18	JD74014M	9	80A
JD561413	10	18	JD74014R	9	80A
JD561414	11	18	JD74015G	9	80A
JD561416	12	18	JD74015L	9	80A
JD561417	14	18	JD74024M	10	80A
JD561418	15	18	JD74024R	10	80A
JD581001	2	34	JD74025G	10	80A
JD581005	1	34	JD74025L	10	80A

Parts Index

Part Number	Figure No.	Page No.	Part Number	Figure No.	Page No.
JD74034M	11	80A	JE581215	11	32
JD74034R	11	80A	JE581218	20	32
JD74035G	11	80A	JE581219	19	32
JD76014M	4	80	JE581220	8	32
JD76014R	4	80	JE581221	10	32
JE351002	1	42	JE581222	9	32
JE351200	7	42	JE581223	14	32
JE351203	5	42	JE581224	15	32
JE351204	6	42	JE581225	13	32
JE501000	1	20	JE581230	1	32
JE501001	1	20	JE581400	4	4
JE501009	1	20	JE581401	6	4
JE531001	5	12	JE621200	1	30
JE541008	14	30	JF401400	5	72
JE541207	5	26	JF401401	6	72
JE541209	13	24	JG131219	14	66
JE541210	6	26	JK121007	16	76
JE541211	2	24	JK121009	18	76
JE541212	12	26	JK161000	3	70
JE541218	15	22	JN131003	15	60
JE551400	18	28	JN131203	7	66
JE551401	6	24	JN131603	7	60
JE551403	8	28	JN131806	1	64
JE551404	9	28	JN131812	17	66
JE551405	10	28	JN351604	14	102
JE561001	1	16	JP351007	2	42
JE581000	12	34	JV541208	5	24
JE581200	1	32	JV551000	21	14

Parts Index

Part Number	Figure No.	Page No.	Part Number	Figure No.	Page No.
JV551002	9	14	JZ551006	1	14
JW111025	6	86	JZ551008	9	14
JW113200	1	56	JZ551200	7	14
JW131205	4	58	JZ551201	5	14
JW131807	6	64	JZ551202	2	14
JW131810	11	64	JZ551204	16	14
JW171006	9	82	JZ551205	15	14
JW171007	4	82	JZ551206	11	14
JW171014	1	82	JZ551208	14	14
JW171015	2	82	JZ551210	10	14
JW171016	6	82	JZ551211	12	14
JW171017	4	86	JZ551212	13	14
JW171026	14	84	JZ551213	6	14
JW232601	25	74	JZ561002	6	16
JW232601	4	84	JZ621000	10	30
JW351400	6	10	KADA0618	10A	44
JW401010	20	100	LAA00004	15	70
JW402001	13	42	LAC00020	26	74
JW402202	18	102	LAD00018	15	24
JW541000	18	24	LAD00018	7	26
JW561205	1	18	LBB00001	9	94
JW561206	2	18	LDB00001	4	66
JW561208	3	18	PF511027	5	2
JW591030	6	36			
JZ401013	7	102			
JZ511021	1	2			
JZ531003	4	12			
JZ541214	21	24			

Parts Index

Part Number	Figure No.	Page No.	Part Number	Figure No.	Page No.